

MATERIAL - DATA SHEET

Quality Products

MADE IN GERMANY

by your famous brand

K SPRITZTECHNIK **T**
KOPPERSCHMID

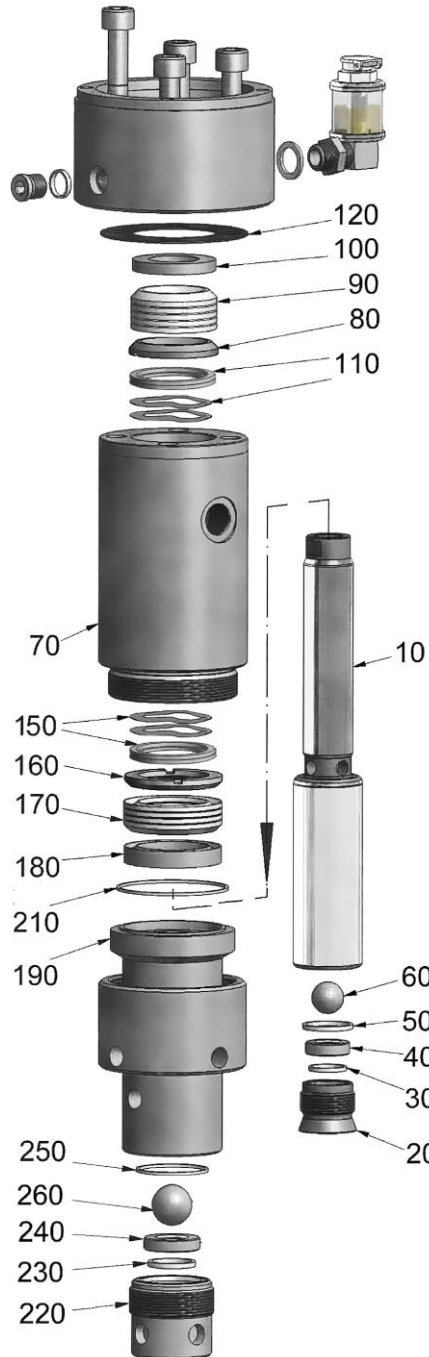
Topic: Kopperschmidt Classic Line

Product: M2001 Classic-Line M2001.020 bis 050

M2001.020 bis 050_MD_E

Stand: 05/2019

Changes are possible without notice



Material contact parts

Pos.	Amount	Description	Material
10	1	Piston	Stainless Steel 1.4305
20	1	Hollow screw	Stainless Steel 1.4305
30	1	Sealing ring	UHMWPE
40	1	Valve seat	Tungsten Carbide
50	1	Sealing ring	UHMWPE
60	1	Ball	Stainless Steel 1.4401 / Tungsten Carbide / Ceramic*
70	1	Cylinder top	Stainless Steel 1.4305
80	1	Gland, female	Stainless Steel 1.4305
90	1	V-Packing set	PTFE/ PE / Leather*
100	1	Gland, male	Stainless Steel 1.4305
110	6	Disc spring	Stainless Spring Steel 1.4310°
110	2	Sine spring	Stainless Spring Steel 1.4310°
120	1	Flat seal	Klingsil
150	6	Disc spring	Stainless Spring Steel 1.4310°
150	2	Sine spring	Stainless Spring Steel 1.4310°
160	1	Gland, male	Stainless Steel 1.4305
170	1	V-Packing set	PTFE/ PE / Leather*
180	1	Gland, female	Stainless Steel 1.4305
190	1	Cylinder, bottom	Stainless Steel 1.4305
210	1	Sealing ring	UHMWPE
220	1	Hollow screw	Stainless Steel 1.4305
230	1	Sealing ring	UHMWPE
240	1	Valve seat	Tungsten Carbide
250	1	Sealing ring	UHMWPE
260	1	Ball	Stainless Steel 1.4401 / Tungsten Carbide / Ceramic*

* Material combinations optional

° Depending on the configuration

Technical data:

Pump type	Material inlet	Material outlet * / Compressed air supply **	Pressure gauge connection	Weight
M2001.020	M26 x 1,5mm i	G3/8" i* / a**	G1/4"i	6,40 kg***
M2001.035	M26 x 1,5mm i	G3/8" i* / a**	G1/4"i	7,00 kg***
M2001.050	M26 x 1,5mm i	G3/8" i* / a**	G1/4"i	7,70 kg***

*** Indication of weight apply to the Fluid Suction without attachment parts