

MATERIAL - DATA SHEET

Quality Products

MADE IN GERMANY

by your famous brand

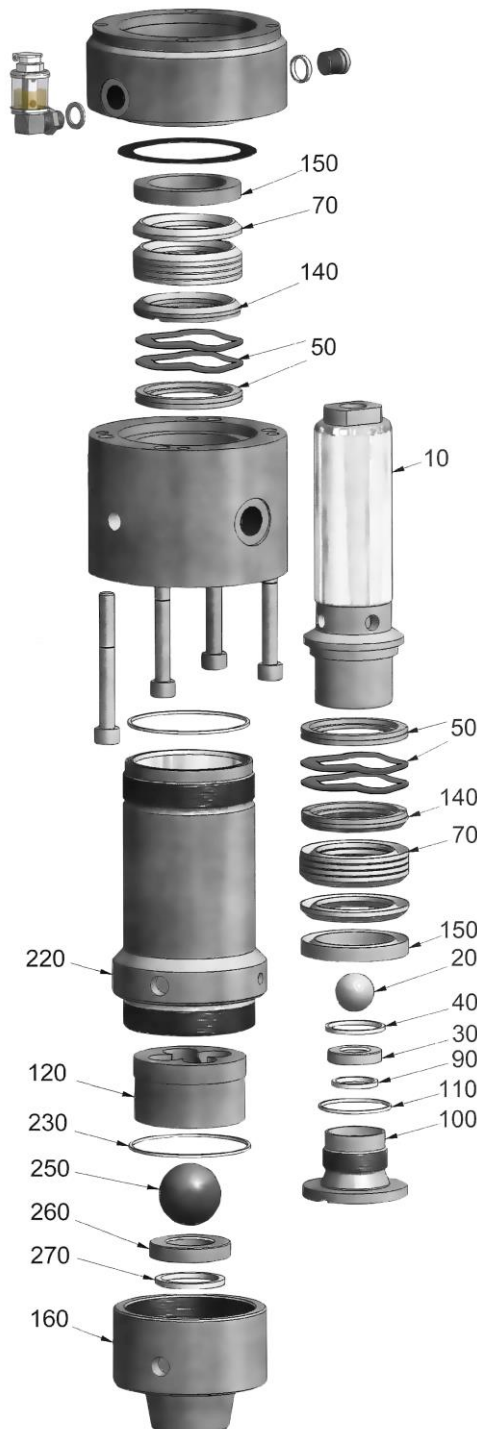
K SPRITZTECHNIK **T**
KOPPERSCHMID

Topic: Kopperschmidt Classic Line
Product: M2001 Classic-Line M2001.085

M2001.085_MD_E

Stand: 05/2020

Changes are possible without notice



Material contact parts

Pos.	Amount	Description	Material
10	1	Piston	Stainless Steel 1.4305
20	1	Ball	Stainless Steel 1.4401/ Tungsten Carbide / Ceramic*
30	1	Valve seat	Tungsten Carbide
40	1	Sealing ring	UHMWPE
50	4	Sine spring	Stainless Spring Steel 1.4310°
50	12	Disc spring	Stainless Spring Steel 1.4310°
70	2	V-Packing set	PTFE/ Leather
70	2	V-Packing set	PTFE/ PE
90	1	Sealing ring	UHMWPE
100	1	Hollow screw	Stainless Steel 1.4305
110	1	Sealing ring	UHMWPE
120	1	Kugelführung	Stainless Steel 1.4305
140	2	Retaining ring	Stainless Steel 1.4305
150	2	Pressure ring	Stainless Steel 1.4305
160	1	Ansaugflansch	Stainless Steel 1.4305
220	1	Cylinder	Stainless Steel 1.4305
250	1	Ball	Stainless Steel 1.4401/ Tungsten Carbide / Ceramic*
260	1	Valve seat	Tungsten Carbide
270	1	Sealing ring	UHMWPE

* Material combinations optional

° Depending on the configuration

Technical Data:

Pump type	Material inlet	Material outlet * / Compressed air supply **	Pressure gauge connection	Weight
M2001.085	G 1"i	G3/8"i* / a**	G1/4"i	9,50 kg***

*** Indication of weight apply to the Fluid Suction without attachment parts