

PRODUCT - DATA SHEET

Quality Products

MADE IN GERMANY

by your famous brand

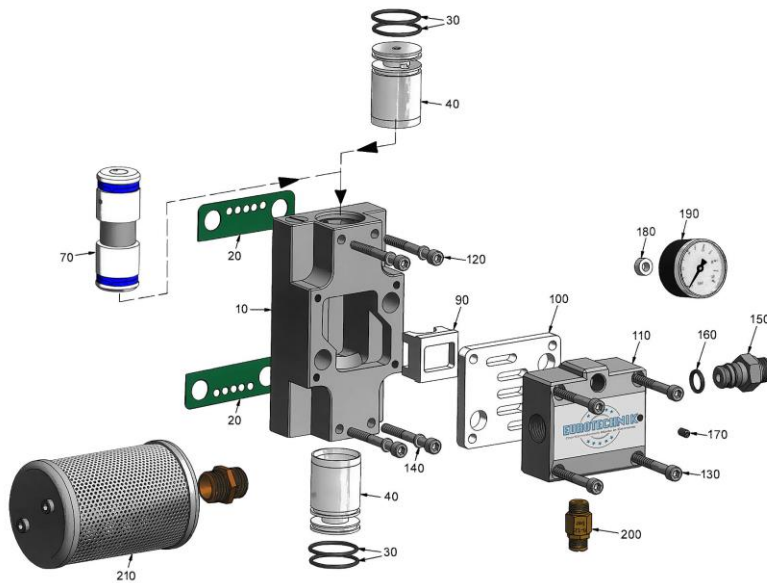
K SPRITZTECHNIK T
KOPPERSCHMIDT

Topic: **Kopperschmidt Classic Line**
Product: **M2001-08.85 (D110 S70-085) Piston pump**

M2001_08_85 Kolbenpumpe_PD_E_e

Stand: 05/2020

Changes are possible without notice



Air control block

Part-No.: 2001D XXX070

Pos.	Amount	Description	Part Number
10	1	housing	20010 100101
20*	2	flat seal	
30*	4	o-ring	
40	2	bushing	20010 100401
70+	1	control piston	
90+	1	slider	
100+	1	slide plate	
110	1	connector	20010 101101
120	4	cylinder screw ¹	90711 006055
130	4	cylinder screw ²	90711 006045
140	4	disc	90711 906012
150	1	connector	20010 101501
160*	1	o-ring	
170	1	grub screw	91711 205010
180	1	sealing	35255 006011
190	1	air pressure gauge	82050 010141
200	1	safety valve 8 bar	15952 011208
210	1	silencer	15003 012004

^{1/2} torque with 10Nm (Mean value of the thread table)

Available service kits for air control block:

Service kit sealings **Part-No. 20002 070308 ***

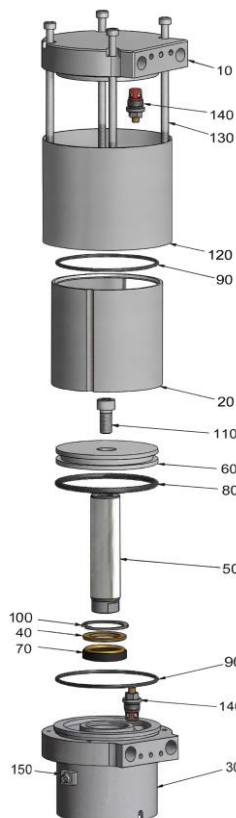
Service kit wear parts **Part-No. 20012 070308 +**

Reconstruction kit air control block M2000 to M2001:

Part-No. 20092 070308

Reconstruction kit connector housing M1000 to M2001:

Part-No. 10010 028001



Air motor D110 S70

Part-No.: 20011 100007

Pos.	Amount	Description	Part Number
10	1	cylinder lid	20011 100101
20	1	cylinder	20011 100201
30	1	motor flange	20011 100301
40	1	disc	20011 600401
50	1	piston rod	20011 600501
60	1	disc piston	20011 100601
70*	1	sealing ring	
80*	1	o-ring	
90*	2	o-ring	
100	1	lock ring	90810 JV0045
110	1	cylinder screw ¹	9E710 016030
120	1	cover	20011 101201
130	4	cylinder screw ²	90711 006130
140	2	sensing valve	20010 010001
150	1	ground terminal	

¹ torque with 200Nm / ² torque with 10Nm
(Mean value of the thread table)

Available service kit for air motor:

Service kit sealings **Part-No. 20001 110308 ***

PRODUCT - DATA SHEET

Quality Products

MADE IN GERMANY

by your famous brand

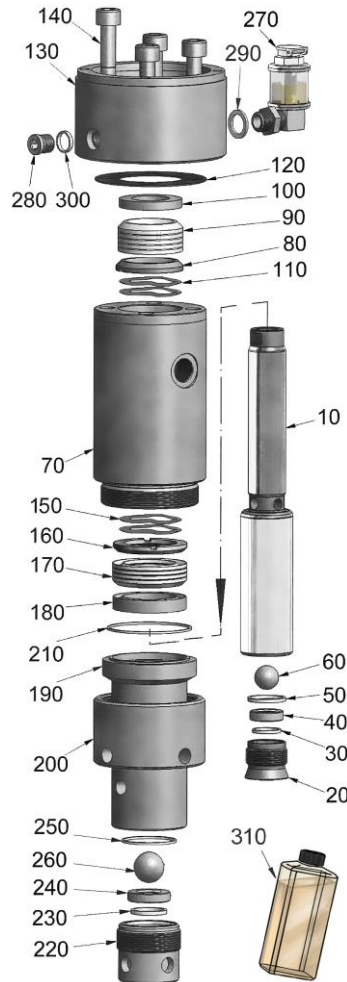
K SPRITZTECHNIK **T**
KOPPERSCHMID

Topic: Kopperschmidt Classic Line
Product: M2001-08.85 (D110 S70-085) Piston pump

M2001_08_85 Kolbenpumpe_PD_E_e

Stand: 05/2020

Changes are possible without notice



Fluid section M2001-085

Part-No.: 20010 850000 for air motor D110-D160

Part-No.: 20010 850006 with coated cylinder
for air motor D110-D160

Part-No.: 20010 850010 (PTFE) for air motor D200

Pos.	Amount	Description	Part Number
10	1	piston	20010 850101
20-	1	ball	
30-	1	valve seat TC	
40*	1	sealing ring	
50	4	sine spring	99242 545450
60	1	coupling housing (D110-D160)	20010 850601
60	1	coupling housing (D200)	20010 850602
70*	2	v-packing set PTFE/leather	
70*	2	v-packing set PTFE/PE	
80	1	coupling housing (D110-D160)	20010 850801
80	1	coupling housing (D200)	20010 850802
90*	1	sealing ring	
100	1	hollow screw	20010 851001
110*	1	sealing ring	
120	1	ball guide	20010 851201
130*	1	flat seal	
140	2	gland, female	42975 405555
150	2	gland, male	43975 405555
160	1	suction flange	20010 851601
170	1	sealing ring	20010 000010
180*	1	locking screw	
190	4	cylinder screw ¹	90711 008070
200	1	fluid level indicator	20010 000020
210*	1	sealing ring	
220	1	cylinder	20010 852201
220	1	cylinder with internal coating	20010 852206
230*	2	sealing ring	
250-	1	ball	
260-	1	valve seat TC	
270*	1	sealing ring	
280		rinsing liquid	15009 010001
280		rinsing liquid SB. (FDA approved)	15009 01SB01-FDA

The rinsing liquid SB Pos.: 280 Part-No.: 15009 01SB01-FDA must be used for use in the food sector!

This oil is to be used for the lubrication of packings and o-rings during assembly!

¹ torque with 25Nm (Mean value of the thread table)

Available service kits for fluid section:

Service kit sealings PTFE/leather	Part-No.: 20000 085304 *
Service kit sealings PTFE/PE	Part-No.: 20000 085306 *
Service kit sealings	Part-No.: 20000 085308 *
Service kit valves TC	Part-No.: 20025 085308 -