

PRODUCT - DATA SHEET

Quality Products

MADE IN GERMANY

by your famous brand

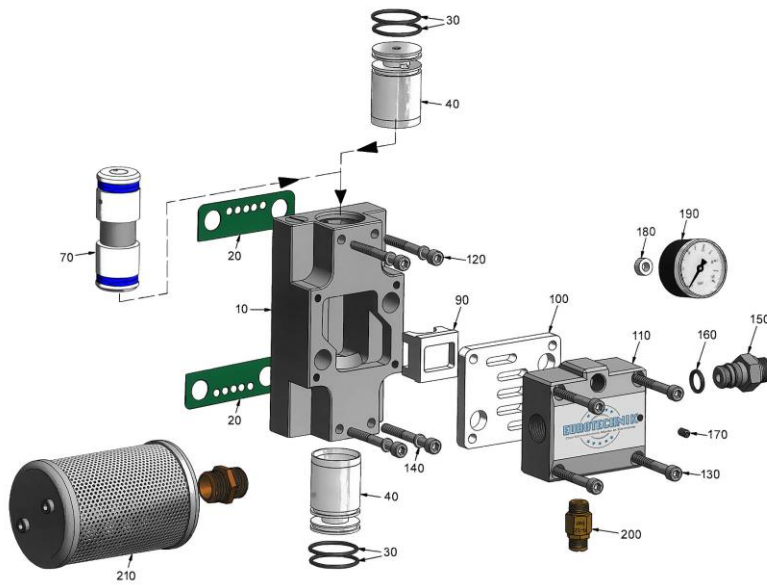
K SPRITZTECHNIK T
KOPPERSCHMID

Topic: Kopperschmidt Classic Line
Product: M2001-20.35 (D110 S70-035) Piston pump

M2001_20_35 Kolbenpumpe_PD_E_e

Stand: 05/2020

Changes are possible without notice



Air control block			
Part-No.: 2001D XXX070			
Pos.	Amount	Description	Part Number
10	1	housing	20010 100101
20*	2	flat seal	
30*	4	o-ring	
40	2	bushing	20010 100401
70+	1	control piston	
90+	1	slider	
100+	1	slide plate	
110	1	connector	20010 101101
120	4	cylinder screw ¹	90711 006055
130	4	cylinder screw ²	90711 006045
140	4	disc	90711 906012
150	1	connector	20010 101501
160*	1	o-ring	
170	1	grub screw	91711 205010
180	1	sealing	35255 006011
190	1	air pressure gauge	82050 010141
200	1	safety valve 8 bar	15952 011208
210	1	silencer	15003 012004

^{1/2} torque with 10Nm (Mean value of the thread table)

Available service kits for air control block:

Service kit sealings **Part-No. 20002 070308 ***

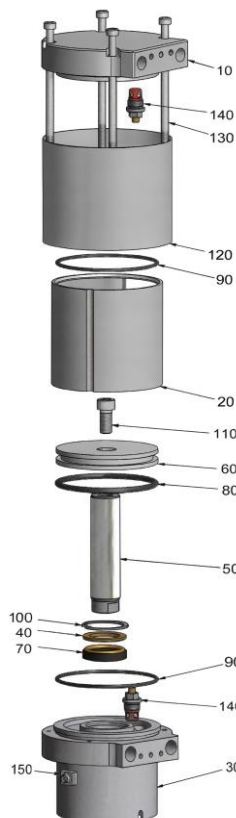
Service kit wear parts **Part-No. 20012 070308 +**

Reconstruction kit air control block M2000 to M2001:

Part-No. 20092 070308

Reconstruction kit connector housing M1000 to M2001:

Part-No. 10010 028001



Air motor D110 S70			
Part-No.: 20011 100007			
Pos.	Amount	Description	Part Number
10	1	cylinder lid	20011 100101
20	1	cylinder	20011 100201
30	1	motor flange	20011 100301
40	1	disc	20011 600401
50	1	piston rod	20011 600501
60	1	disc piston	20011 100601
70*	1	sealing ring	
80*	1	o-ring	
90*	2	o-ring	
100	1	lock ring	90810 JV0045
110	1	cylinder screw ¹	9E710 016030
120	1	cover	20011 101201
130	4	cylinder screw ²	90711 006130
140	2	sensing valve	20010 010001
150	1	ground terminal	

¹ torque with 200Nm / ² torque with 10Nm
(Mean value of the thread table)

Available service kit for air motor:

Service kit sealings **Part-No. 20001 110308 ***

PRODUCT - DATA SHEET

Topic: Kopperschmidt Classic Line
Product: M2001-20.35 (D110 S70-035) Piston pump

M2001_20_35 Kolbenpumpe_PD_E_e

Stand: 05/2020

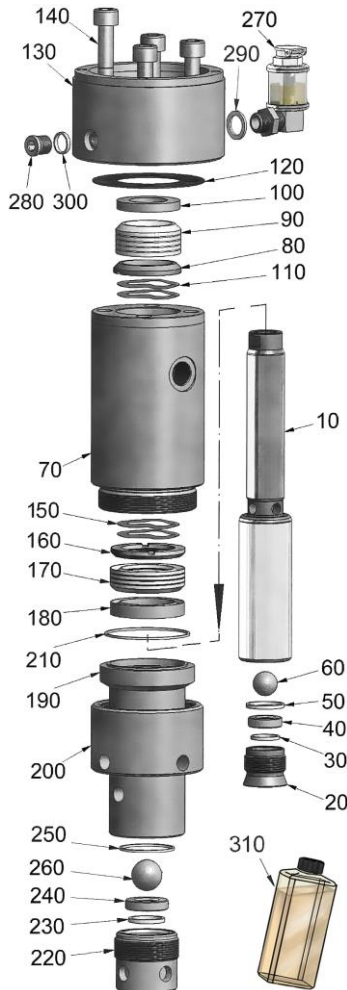
Changes are possible without notice

Quality Products

MADE IN GERMANY

by your famous brand

K SPRITZTECHNIK **T**
KOPPERSCHMIDT



The rinsing liquid SB Pos.: 310 Part-No.: 15009 01SB01-FDA must be used for use in the food sector!

This oil is to be used for the lubrication of packings and o-rings during assembly!

Fluid section M2001-035

Part-No.: 20010 350000 (PTFE/PE) for Air Motor D110-D160

Part-No.: 20010 350002 (PTFE/PE) for Air Motor D200

Part-No.: 20010 350010 (PTFE/leather) for Air Motor D110-D160

Part-No.: 20010 350012 (PTFE/leather) for Air Motor D200

Part-No.: 20010 350020 (PTFE) for Air Motor D110-D160

Part-No.: 20010 350022 (PTFE) for Air Motor D200

Pos.	Amount	Description	Part Number
10	1	piston	20010 350101
20	1	hollow screw	20010 350201
30*	1	sealing ring	
40-	1	valve seat TC	
50*	1	sealing ring	
60-	1	ball	
70	1	cylinder upper	20010 350701
80	1	gland, female	42962 254418
90*	1	v-packing set PTFE	
90*	1	v-packing set PTFE/PE	
90*	1	v-packing set PTFE/leather	
100	1	gland, male	43955 254425
110	6	disc spring	20010 351101
120*	1	flat seal	
130	1	coupling housing (D110-D160)	20010 351301
130	1	coupling housing (D200)	20010 351302
140	4	cylinder screw ¹	90711 010060
150	6	disc spring	20010 351501
160	1	gland, male	42950 353483
170*	1	v-packing set PTFE	
170*	1	v-packing set PTFE/PE	
180	1	gland, female	43983 353490
190	1	cylinder lower	20010 351901
200	1	retainer ring	20010 352001
210*	1	sealing ring	
220	1	hollow screw	20010 352201
230*	1	sealing ring	
240-	1	valve seat TC	
250*	1	sealing ring	
260-	1	ball	
270	1	fluid level indicator	20010 000020
280	1	locking screw	20010 000010
290	1	sealing ring	36216 013018
300	1	sealing ring	36425 012014
310		rinsing liquid	15009 010001
310		rinsing liquid SB, (FDA approved)	15009 01SB01-FDA

¹ torque with 50Nm (Mean value of the thread table)

Available service kits for fluid section:

Service kit sealings PTFE	Part-No. 20000 035300 *
Service kit sealings leather	Part-No. 20000 035301 *
Service kit sealings PTFE/leather	Part-No. 20000 035304 *
Service kit sealings PTFE/PE	Part-No. 20000 035306 *
Service kit valves TC	Part-No. 20025 035308 -