

# PRODUCT - DATA SHEET

Quality Products

MADE IN GERMANY

by your famous brand

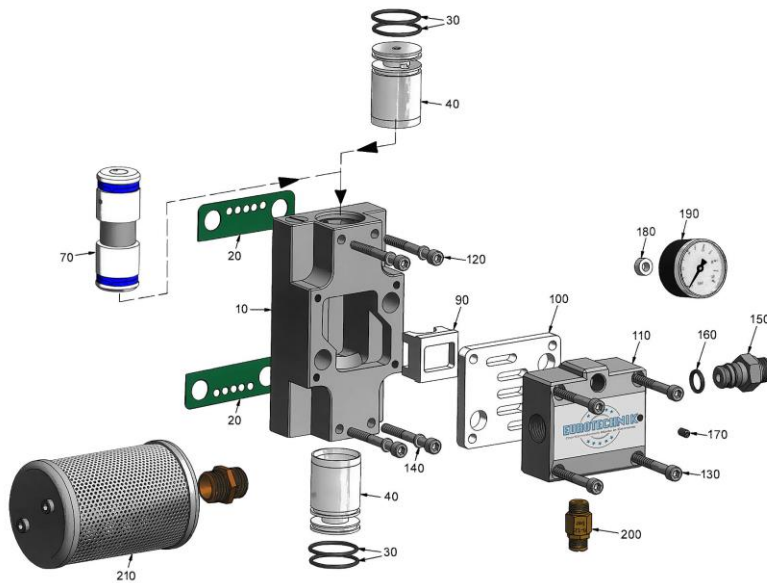
K SPRITZTECHNIK T  
KOPPERSCHMIDT

Topic: Kopperschmidt Classic Line  
Product: M2001-25.85 (D200 S70-085) Piston pump

M2001\_25\_85 Kolbenpumpe\_PD\_E\_e

Stand: 05/2020

Changes are possible without notice



Air control block			
Part-No.: 2001D XXX070			
Pos.	Amount	Description	Part Number
10	1	housing	20010 100101
20*	2	flat seal	
30*	4	o-ring	
40	2	bushing	20010 100401
70+	1	control piston	
90+	1	slider	
100+	1	slide plate	
110	1	connector	20010 101101
120	4	cylinder screw <sup>1</sup>	90711 006055
130	4	cylinder screw <sup>2</sup>	90711 006045
140	4	disc	90711 906012
150	1	connector	20010 101501
160*	1	o-ring	
170	1	grub screw	91711 205010
180	1	sealing	35255 006011
190	1	air pressure gauge	82050 010141
200	1	safety valve 8 bar	15952 011208
210	1	silencer	15003 012004

<sup>1/2</sup> torque with 10Nm (Mean value of the thread table)

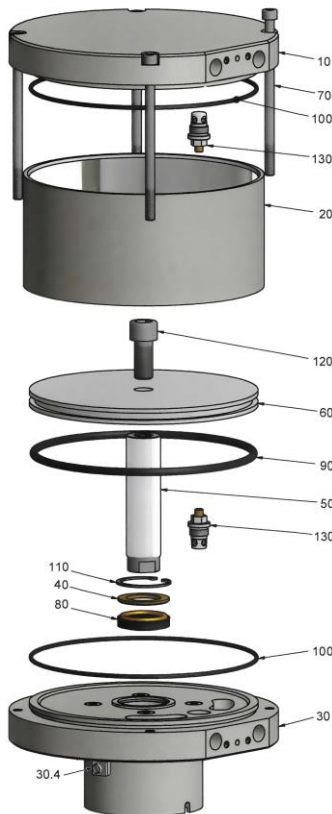
**Available service kits for air control block:**

Service kit sealings **Part-No. 20002 070308 \***

Service kit wear parts **Part-No. 20012 070308 +**

Reconstruction kit air control block M2000 to M2001:  
**Part-No. 20092 070308**

Reconstruction kit connector housing M1000 to M2001:  
**Part-No. 10010 028001**



Air motor D200 S70			
Part-No.: 20012 007000			
Pos.	Amount	Description	Part Number
10	1	cylinder lid	20012 007101
20	1	cylinder	20012 007201
30	1	motor flange	20012 007301
30.4	1	ground terminal	
40	1	disc	20011 600401
50	1	piston rod	20011 600501
60	1	disc piston	20012 007601
70	4	cylinder screw <sup>1</sup>	90711 008140
80*	1	sealing ring	
90*	1	o-ring	
100*	2	o-ring	
110	1	lock ring	90810 472045
120	1	cylinder screw <sup>2</sup>	9E710 016035
130	2	sensing valve	20010 010001

<sup>1</sup> torque with 25Nm / <sup>2</sup> torque with 200Nm  
(Mean value of the thread table)

**Available service kit for air motor:**

Service kit sealings **Part-No. 20001 200308 \***

# PRODUCT - DATA SHEET

**Quality Products**

**MADE IN GERMANY**

by your famous brand

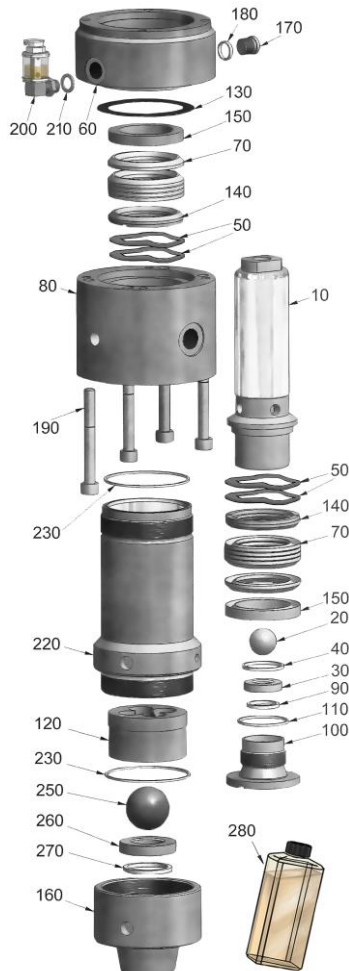
**K** SPRITZTECHNIK **T**  
**KOPPERSCHMID**

**Topic: Kopperschmidt Classic Line**  
**Product: M2001-25.85 (D200 S70-085) Piston pump**

M2001\_25\_85 Kolbenpumpe\_PD\_E\_e

Stand: 05/2020

Changes are possible without notice



The rinsing liquid SB Pos.: 280 Part-No.: 15009 01SB01-FDA must be used for use in the food sector!

This oil is to be used for the lubrication of packings and o-rings during assembly!

## Fluid section M2001-085

Part-No.: 20010 850000 for air motor D110-D160

Part-No.: 20010 850006 with coated cylinder for air motor D110-D160

Part-No.: 20010 850010 (PTFE) for air motor D200

Pos.	Amount	Description	Part Number
10	1	piston	20010 850101
20-	1	ball	
30-	1	valve seat TC	
40*	1	sealing ring	
50	4	sine spring	99242 545450
60	1	coupling housing (D110-D160)	20010 850601
60	1	coupling housing (D200)	20010 850602
70*	2	v-packing set PTFE/leather	
70*	2	v-packing set PTFE/PE	
80	1	coupling housing (D110-D160)	20010 850801
80	1	coupling housing (D200)	20010 850802
90*	1	sealing ring	
100	1	hollow screw	20010 851001
110*	1	sealing ring	
120	1	ball guide	20010 851201
130*	1	flat seal	
140	2	gland, female	42975 405555
150	2	gland, male	43975 405555
160	1	suction flange	20010 851601
170	1	sealing ring	20010 000010
180*	1	locking screw	
190	4	cylinder screw <sup>1</sup>	90711 008070
200	1	fluid level indicator	20010 000020
210*	1	sealing ring	
220	1	cylinder	20010 852201
220	1	cylinder with internal coating	20010 852206
230*	2	sealing ring	
250-	1	ball	
260-	1	valve seat TC	
270*	1	sealing ring	
280		rinsing liquid	15009 010001
280		rinsing liquid SB. ( FDA approved )	15009 01SB01-FDA

<sup>1</sup> torque with 25Nm (Mean value of the thread table)

### Available service kits for fluid section:

Service kit sealings PTFE/leather **Part-No.: 20000 085304 \***  
 Service kit sealings PTFE/PE **Part-No.: 20000 085306 \***  
 Service kit sealings **Part-No.: 20000 085308 \***  
 Service kit valves TC **Part-No.: 20025 085308 -**