

PRODUCT - DATA SHEET

Quality Products

MADE IN GERMANY

by your famous brand

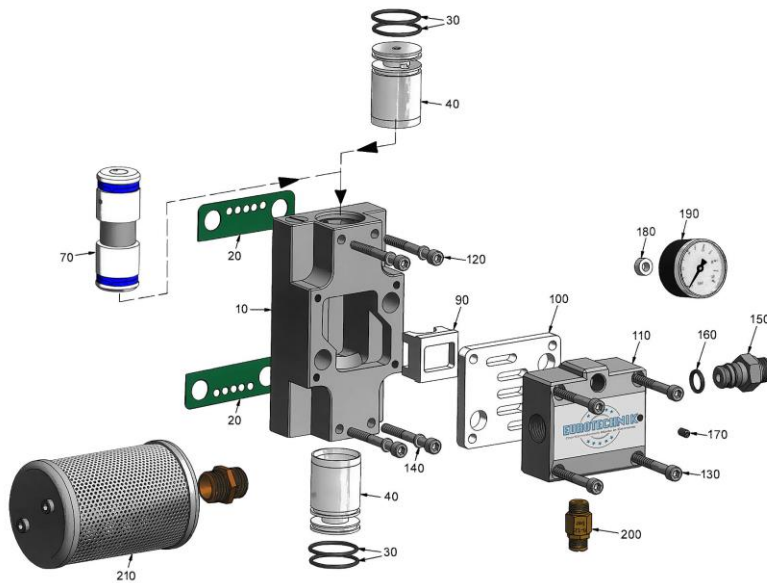
K SPRITZTECHNIK T
KOPPERSCHMIDT

Topic: **Kopperschmidt Classic Line**
Product: **M2001-45.50 (D200 S70-050) Piston pump**

M2001_45_50 Kolbenpumpe_PD_E_e

Stand: 05/2020

Changes are possible without notice



| Air control block | | | |
|------------------------|--------|-----------------------------|--------------|
| Part-No.: 2001D XXX070 | | | |
| Pos. | Amount | Description | Part Number |
| 10 | 1 | housing | 20010 100101 |
| 20* | 2 | flat seal | |
| 30* | 4 | o-ring | |
| 40 | 2 | bushing | 20010 100401 |
| 70+ | 1 | control piston | |
| 90+ | 1 | slide | |
| 100+ | 1 | slide plate | |
| 110 | 1 | connector | 20010 101101 |
| 120 | 4 | cylinder screw ¹ | 90711 006055 |
| 130 | 4 | cylinder screw ² | 90711 006045 |
| 140 | 4 | disc | 90711 906012 |
| 150 | 1 | connector | 20010 101501 |
| 160* | 1 | o-ring | |
| 170 | 1 | grub screw | 91711 205010 |
| 180 | 1 | sealing | 35255 006011 |
| 190 | 1 | air pressure gauge | 82050 010141 |
| 200 | 1 | safety valve 8 bar | 15952 011208 |
| 210 | 1 | silencer | 15003 012004 |

^{1/2} torque with 10Nm (Mean value of the thread table)

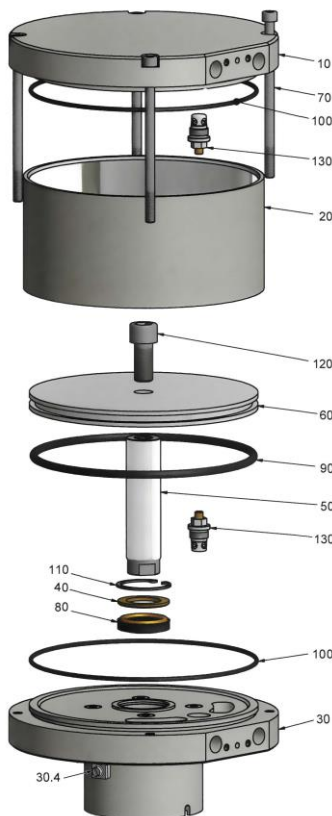
Available service kits for air control block:

Service kit sealings **Part-No. 20002 070308 ***

Service kit wear parts **Part-No. 20012 070308 +**

Reconstruction kit air control block M2000 to M2001:
Part-No. 20092 070308

Reconstruction kit connector housing M1000 to M2001:
Part-No. 10010 028001



| Air motor D200 S70 | | | |
|------------------------|--------|-----------------------------|--------------|
| Part-No.: 20012 007000 | | | |
| Pos. | Amount | Description | Part Number |
| 10 | 1 | cylinder lid | 20012 007101 |
| 20 | 1 | cylinder | 20012 007201 |
| 30 | 1 | motor flange | 20012 007301 |
| 30.4 | 1 | ground terminal | |
| 40 | 1 | disc | 20011 600401 |
| 50 | 1 | piston rod | 20011 600501 |
| 60 | 1 | disc piston | 20012 007601 |
| 70 | 4 | cylinder screw ¹ | 90711 008140 |
| 80* | 1 | sealing ring | |
| 90* | 1 | o-ring | |
| 100* | 2 | o-ring | |
| 110 | 1 | lock ring | 90810 472045 |
| 120 | 1 | cylinder screw ² | 9E710 016035 |
| 130 | 2 | sensing valve | 20010 010001 |

¹ torque with 25Nm / ² torque with 200Nm
(Mean value of the thread table)

Available service kit for air motor:

Service kit sealings **Part-No. 20001 200308 ***

PRODUCT - DATA SHEET

Quality Products

MADE IN GERMANY

by your famous brand

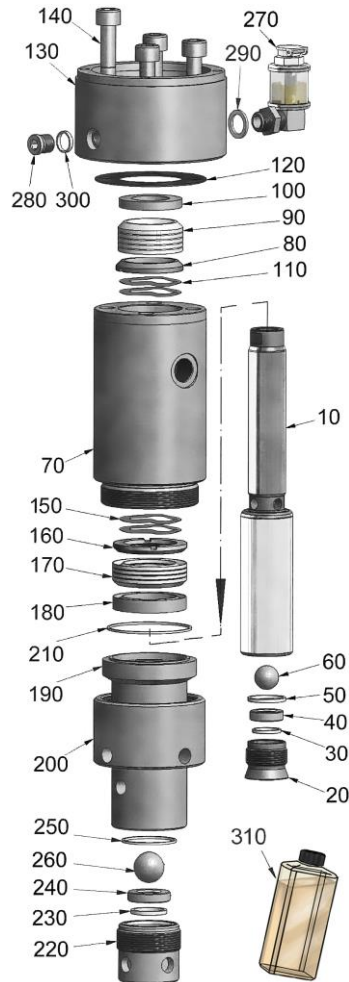
K SPRITZTECHNIK **T**
KOPPERSCHMID

Topic: Kopperschmidt Classic Line
Product: M2001-45.50 (D200 S70-050) Piston pump

M2001_45_50 Kolbenpumpe_PD_E_e

Stand: 05/2020

Changes are possible without notice



The rinsing liquid SB Pos.: 310 Part-No.: 15009 01SB01-FDA must be used for use in the food sector!

This oil is to be used for the lubrication of packings and o-rings during assembly!

Fluid section M2001-050

Part-No.: 20010 500000 (PTFE/PE) for Air Motor D110-D160

Part-No.: 20010 500002 (PTFE/PE) for Air Motor D200

Part-No.: 20010 500010 (PTFE/leather) for Air Motor D110-D160

Part-No.: 20010 500012 (PTFE/leather) for Air Motor D200

Part-No.: 20010 500020 (PTFE) for Air Motor D110-D160

Part-no.: 20010 500022 (PTFE) for Air Motor D200

| Pos. | Amount | Description | Part Number |
|------|--------|-------------------------------------|------------------|
| 10 | 1 | piston | 20010 500101 |
| 20 | 1 | hollow screw | 20010 500201 |
| 30* | 1 | sealing ring | |
| 40- | 1 | valve seat TC | |
| 50* | 1 | sealing ring | |
| 60- | 1 | ball | |
| 70 | 1 | cylinder upper | 20010 500701 |
| 80 | 1 | gland, female | 42960 299463 |
| 90* | 1 | v-packing set PTFE | |
| 90* | 1 | v-packing set PTFE/PE | |
| 90* | 1 | v-packing set PTFE/leather | |
| 100 | 1 | gland, male | 43955 299470 |
| 110 | 2 | sine spring | 99242 460330 |
| 120* | 1 | flat seal | |
| 130 | 1 | coupling housing (D110-D160) | 20010 501301 |
| 130 | 1 | coupling housing (D200) | 20010 501302 |
| 140 | 4 | cylinder screw ¹ | 90711 010060 |
| 150 | 2 | sine spring | 99242 545450 |
| 160 | 1 | gland, male | 42952 417543 |
| 170* | 1 | v-packing set PTFE | |
| 170* | 1 | v-packing set PTFE/PE | |
| 180 | 1 | gland, female | 43983 417550 |
| 190 | 1 | cylinder lower | 20010 501901 |
| 200 | 1 | retainer ring | 20010 502001 |
| 210* | 1 | sealing ring | |
| 220 | 1 | hollow screw | 20010 502201 |
| 230* | 1 | sealing ring | |
| 240- | 1 | valve seat TC | |
| 250* | 1 | sealing ring | |
| 260- | 1 | ball | |
| 270 | 1 | fluid level indicator | 20010 000020 |
| 280 | 1 | locking screw | 20010 000010 |
| 290 | 1 | sealing ring | 36216 013018 |
| 300 | 1 | sealing ring | 36425 012014 |
| 310 | | rinsing liquid | 15009 010001 |
| 310 | | rinsing liquid SB, (FDA approved) | 15009 01SB01-FDA |

¹ torque with 50Nm (Mean value of the thread table)

Available service kits for fluid section:

Service kit sealings PTFE

Part-No. 20000 050300 *

Service kit sealings PTFE/leather

Part-No. 20000 050304 *

Service kit sealings PTFE/PE

Part-No. 20000 050306 *

Service kit valves TC

Part-No. 20025 050308 -