

PRODUCT - DATA SHEET

Topic: Kopperschmidt Classic Line transfer pumps
Product: P2001-07.340 (D160 S120-340) Piston pump

P2001_07_340 Kolbenpumpe_PD_E_e

Stand: 03/2020

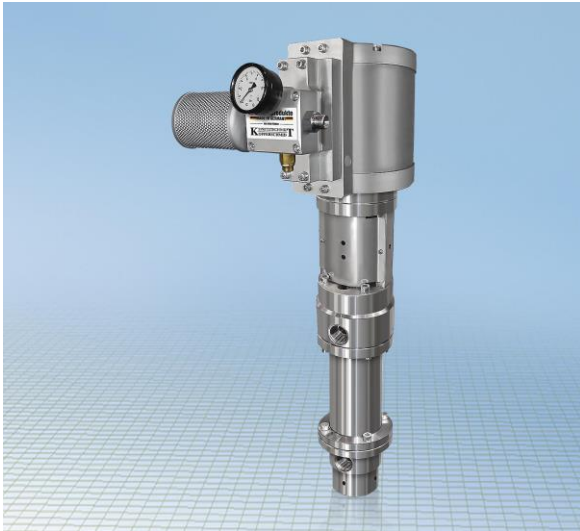
Changes are possible without notice

Quality Products

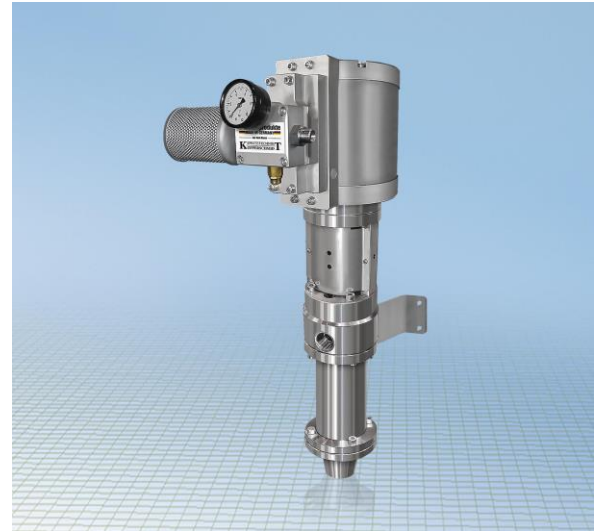
MADE IN GERMANY

by your famous brand

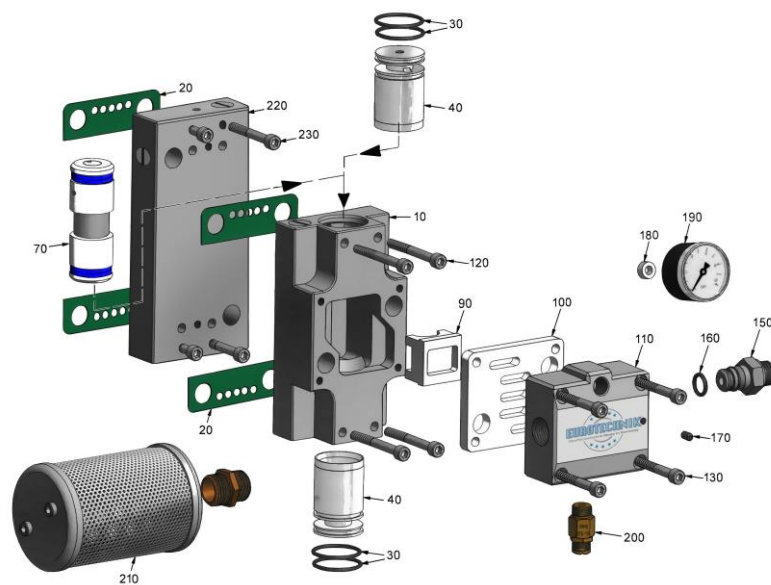
K SPRITZTECHNIK T
KOPPERSCHMIDT



P2001-07.340 Piston pump with floor mounting
Part-No.: P2001 076800-S



P2001-07.340 Piston pump with wall mounting
Part-No.: P2001 076800-W



Air Control Block

Part-No.: 2001D XXX122

Pos.	Amount	Description	Part-No.
10	1	housing	20010 100101
20*	4	flat seal	
30*	4	o-ring	
40	2	bushing	20010 100401
70+	1	control piston assy	
90+	1	slider	
100+	1	slide plate	
110	1	connector	20010 101101
120	4	cylinder screw ¹	90711 006055
130	4	cylinder screw ²	90711 006045
140	8	disc	90711 906012
150	1	connector	20010 101501
160*	1	o-ring	
170	1	grub screw	91711 205010
180	1	sealing	35255 006011
190	1	air pressure gauge	82050 010141
200	1	safety valve 8 bar	15952 011208
210	1	silencer assy	15003 012004
220	1	adapter plate	2001D XXX121
230	4	cylinder screw ³	90711 006035

^{1/2/3} torque with 10Nm (Mean value of the thread table)

Available service kits for Air Control Block:

Service kit sealings **Part-No. 20002 120308 ***

Service kit wear parts **Part-No. 20012 070308 +**

PRODUCT - DATA SHEET

Quality Products

MADE IN GERMANY

by your famous brand

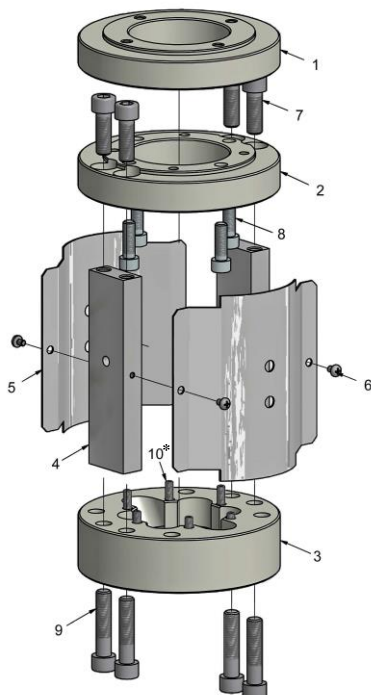
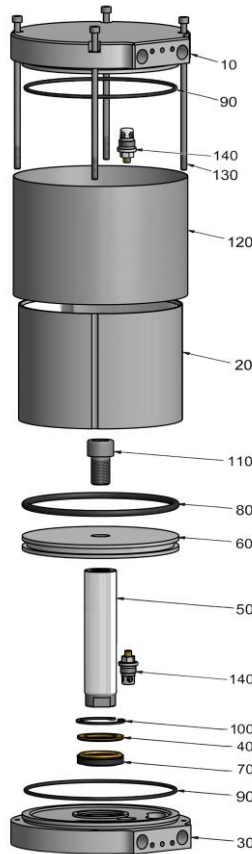
K SPRITZTECHNIK
KOPPERSCHMID T

Topic: Kopperschmidt Classic Line transfer pumps
Product: P2001-07.340 (D160 S120-340) Piston pump

P2001_07_340 Kolbenpumpe_PD_E_e

Stand: 03/2020

Changes are possible without notice



Air Motor D160 S120

Part-No.: 20011 600012

Pos.	Amount	Description	Part Number
10	1	cylinder lid	20011 600101
20	1	cylinder	20011 600205
30	1	cylinder base	20011 600301-1.2
40	1	disc	20011 600401
50	1	piston rod	20011 600502
60	1	disc piston	20011 600601
70*	1	sealing ring	
80*	1	o-ring	
90*	2	o-ring	
100	1	lock ring	90810 JV0045
110	1	cylinder screw ¹	9E710 016030
120	1	cover	20011 601205
130	4	cylinder screw ²	90711 006180
140	2	sensing valve	20010 010001

¹ torque with 200Nm / ² torque with 10Nm
(Mean value of the thread table)

Available service kit for Air Motor:

Service kit Sealings

Part-No. 20001 160308 *

Coupling housing D160 / D200

Part-No.: 20013 403002

Pos.	Amount	Description	Part Number
1	1	intermediate flange <i>above</i>	20013 403000-2.2
2	1	flange <i>above</i>	20013 403000-2.1
3	1	flange <i>below</i>	20013 403000-1
4	2	spacer	20013 403000-3
5	2	cover plate	20013 403000-4
6	4	round head screw	9G711 304006
7	4	cylinder screw ¹	90711 010030
8	4	cylinder screw ²	90711 008025
9	4	cylinder screw ³	90711 010045
10	6	grub screw*	91712 208030

^{1/3} torque with 45Nm / ² torque with 26Nm
(Mean value of the thread table)

* The grub screws are used for packing adjustment and should only be tightened by hand, to the point that material outlet avoid!

PRODUCT - DATA SHEET

Topic: Kopperschmidt Classic Line transfer pumps
Product: P2001-07.340 (D160 S120-340) Piston pump

P2001_07_340 Kolbenpumpe_PD_E_e

Stand: 03/2020

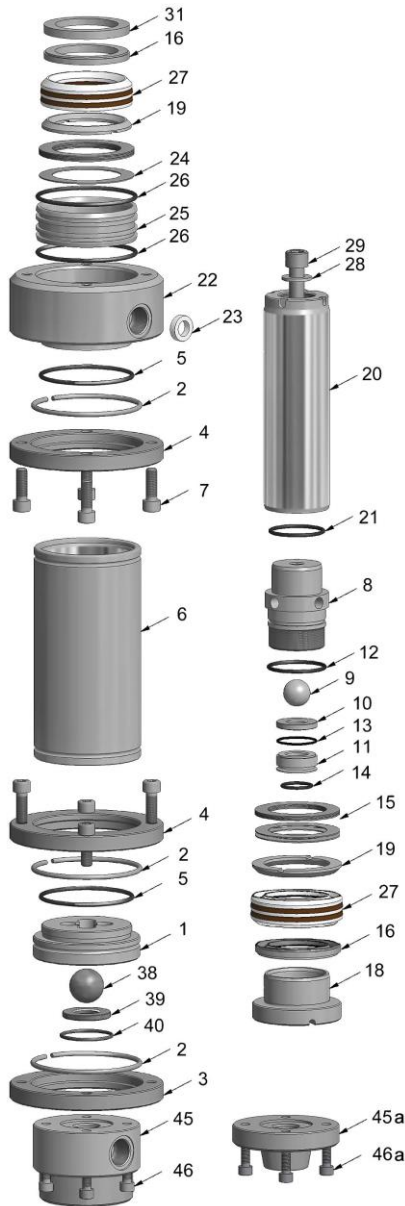
Changes are possible without notice

Quality Products

MADE IN GERMANY

by your famous brand

K SPRITZTECHNIK **T**
KOPPERSCHMIDT



Fluid Section P2001-340			
Part-No.: 20013 400000-S / Part-No.: 20013 400000-W			
Pos.	Amount	Description	Part-No.
1	1	ball guide	20013 400101
2	3	snap ring	20013 400201
3	1	flange	20013 400301
4	2	flange	20013 400401
5#+*	2	o-ring	
6	1	cylinder	20013 400601
7	8	cylinder screw ¹	90711 010030
8	1	piston	20013 400801
9~	1	ball	
10~	1	valve seat	
11	1	bushing	20013 401101
12#+*	1	o-ring	
13#+*	1	o-ring	
14#+*	1	o-ring	
15	6	disc spring	20013 401501
16	2	gland, female	43906 618847
18	1	retainer ring	20013 401801
19	2	gland, male	42906 618847
20	1	piston skirt	20013 402001
21#+*	1	o-ring	
22	1	connector	20013 402201-1
23#+*	1	sealing ring	
24	6	disc spring	20013 402401
25	1	bushing	20013 402501
26#+*	2	o-ring	
27#	2	v-packing set PTFE	
27+	2	v-packing set PTFE/leather	
27*	2	v-packing set PTFE/Nomex	
28	1	disc	90711 915028
29	1	cylinder screw ²	90711 014170
31	1	pressure ring	20013 401301
38~	1	ball	
39~	1	valve seat	
40#+*	1	o-ring	
45	1	round flange for floor mounting	20013 404505
45a	1	round flange for wall mounting	20013 404501
46	4	cylinder screw M8x20 ³	90711 008020
46a	4	cylinder screw M8x25 ⁴	90711 008025

¹ torque with 45Nm / ² torque with 200Nm / ^{3/4} torque with 26Nm
 (Mean value of the thread table)

Available service kits for Fluid Section:

Service kit sealings PTFE **Part-No. 20000 340610 +**
 Service kit sealings PTFE/leather **Part-No. 20000 340614 +**
 Service kit sealings PTFE /Nomex **Part-No. 20000 340615 ***
 Service kit valves **Part-No. 20025 340616 ~**