

PRODUCT - DATA SHEET

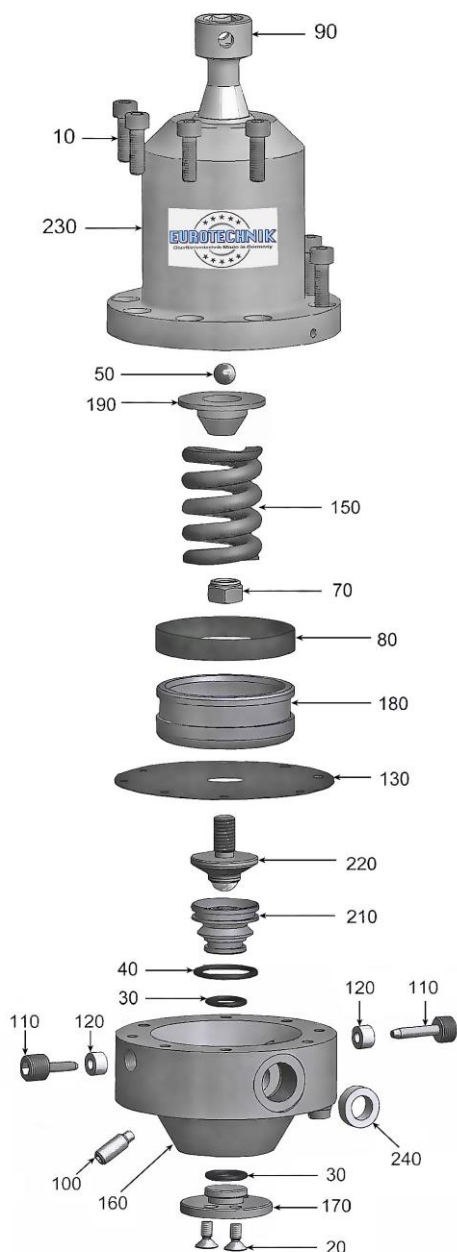
Topic: Material Pressure Regulator
Product: Mechanical operated material pressure regulator
P10-RM Part-No. 15010 011000
P20-RM Part-No. 15010 021000

Quality Products
MADE IN GERMANY
 — by your famous brand —
KOPERSCHMIDT
SPRITZTECHNIK

P10-20RM_PD_E_e

Stand: 02/2019

all rights reserved



Pos.	Amount	Description	Part-Number
10	8	screw	90711 005016
20	2	screw	96711 004010
30*	2	o-ring	
40*	1	o-ring	
50+	1	ball	
70+	1	hex nut	
80+	1	guiding band	
90	1	adjustment screw	15010 010090
100	2	screw	94710 206020
110	2	locking screw with pin	15010 010111
120	2	sealing ring	35450 004009
130*	1	diaphragm	
150	1	spring for P10	99210 022058
150	1	spring for P20	99210 021059
160	1	lower housing	15010 012160
170	1	lid	15010 011170
180	1	piston	15010 010180
190	1	spring plate	15010 010190
210+	1	valve seat	
220+	1	valve tappet	
230	1	upper housing	15010 010230
240	2	sealing ring (optional)	35450 009015

Service kits for material pressure regulator:

Sealing kit includes marked * items **Part-No.: 20006 010001**

Service kit wear parts includes marked + items **Part-No.: 20016 011001**

Service kit includes marked * and + items **Part-No.: 20026 011001**