

PRODUCT - DATA SHEET

Topic: Material Pressure Regulator

Product: Mechanical operated material pressure regulator

P10-VM Part-No.: 15010 010000

P10-VM Part-No.: 15010 01000P (PEEK)

P20-VM Part-No.: 15010 020000

P10-20VM_PD_E_e

Stand 02/2019

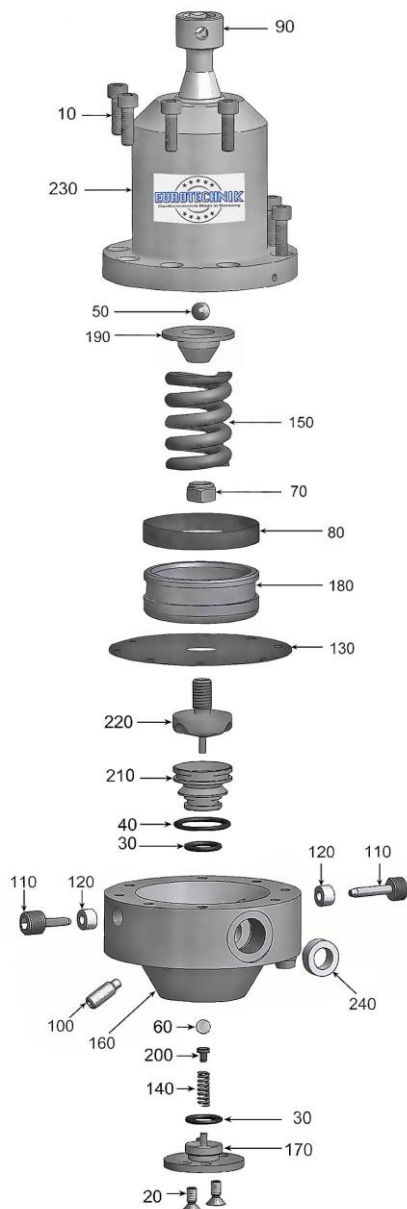
all rights reserved

Quality Products



by your famous brand

K SPRITZTECHNIK **T**
KOPPERSCHMIDT



Pos.	Amount	Description	Part-Number
10	8	screw	90711 005016
20	2	screw	96711 004010
30*	2	o-ring	
40*	1	o-ring	
50+	1	ball	
60+	1	ball TC ~	
60+	1	ball ceramic ~	
70+	1	hex nut	
80+	1	guiding band	
90	1	adjustment screw	15010 010090
100	2	screw	94710 206020
110	2	locking screw with pin	15010 010111
120	2	sealing ring	35450 004009
130*	1	diaphragm	
140+	1	spring	
150	1	spring for P10	99210 022058
150	1	spring for P20	99210 021059
160	1	lower housing	15010 012160
170	1	lid	15010 010170
180	1	piston	15010 010180
190	1	spring plate	15010 010190
200+	1	ball thrust	
210+	1	valve seat TC (standard)	
210+	1	valve seat PEEK	
220	1	valve tappet	15010 010220
230	1	upper housing	15010 010230
240	2	sealing ring (optional)	35450 009015

~ Dependent on the ordered service kit **TC** or **ceramic!**

Service kits for material pressure regulator:

Sealing kit includes marked * items **Part-No.: 20006 010001**

Service kit TC wear parts includes marked + items **Part-No.: 20016 010001**

Service kit ceramic wear parts includes marked + items **Part-No.: 20016 010002**

Service kit PEEK wear parts includes marked + items **Part-No.: 20016 010003**

Service kit TC includes marked* and + items **Part-No.: 20026 010001**

Service kit ceramic includes marked* and + items **Part-No.: 20026 010002**

Service kit PEEK includes marked* and + items **Part-No.: 20026 010003**