

PRODUCT - INFORMATION

Topic: Material Pressure Regulator
Product: Attachments for mechanical operated material pressure regulator
 P10-VM, P20-VM / P10-RM, P20-RM

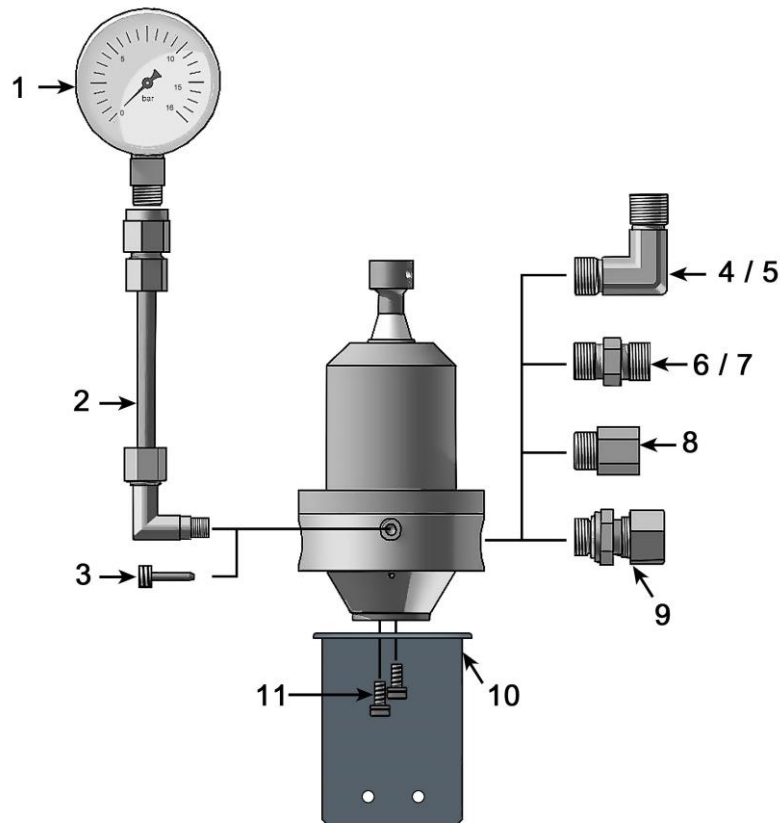
Quality Products
MADE IN GERMANY
 — by your famous brand —
KOPERSCHMIDT

P10-P20VM-RM_PL_E

Stand 01/2020

All rights reserved

Attachments for mechanical operated material pressure regulator P10-VM, P20-VM / P10-RM, P20-RM



Material pressure regulator complete:

| | | |
|---------------|--------------|------------------------|
| P10-VM | 1,0 - 10 bar | Part-No.: 15010 010000 |
| P20-VM | 1,0 - 20 bar | Part-No.: 15010 020000 |
| P10-RM | 1,0 - 10 bar | Part-No.: 15010 011000 |
| P20-RM | 1,0 - 20 bar | Part-No.: 15010 021000 |

Material pressure regulator complete with extension and manometer:

| | | | | | |
|---------------|--------------|---------------------------------------|----|---|----|
| | | | SS | / | MS |
| P10-VM | 1,0 - 10 bar | Part-No.: 15010 010001 / 15010 010002 | | | |
| P20-VM | 1,0 - 20 bar | Part-No.: 15010 020001 / 15010 020002 | | | |
| P10-RM | 1,0 - 10 bar | Part-No.: 15010 011001 / 15010 011002 | | | |
| P20-RM | 1,0 - 20 bar | Part-No.: 15010 021001 / 15010 021002 | | | |

| Pos. | Description | Part-No. | Pos. | Description | Part-No. |
|------|---|--------------|------|-------------------------------------|--------------|
| 1 | pressure gauge SS 0-16 bar for P10-VM/RM | 83063 016140 | 6 | double nipple SS G1/4" > G3/8" | 99460 011438 |
| 1 | pressure gauge SS/Cu 0-16 bar for P10-VM /RM | 83063 016142 | 7 | double nipple SS G3/8" | 99460 013838 |
| 1 | pressure gauge SS 0-25 bar for P20-VM/RM | 83063 025140 | 8 | reducing nipple SS G3/8"o > G1/2"i | 99460 213812 |
| 1 | pressure gauge SS/Cu 0-25 bar for P20-VM/RM | 83063 025142 | 8 | reducing nipple SS G3/8"o > G1/4" i | 99460 213814 |
| 2 | rising pipe complete (without pressure gauge) | 15010 302005 | 9 | screw in connection SS 12L > G3/8" | 99471 2N1238 |
| 3 | locking screw with pin | 15010 010111 | 10 | wall mount bracket | 15010 302003 |
| 4 | elbow connector SS R3/8" x G1/4" | 99470 663814 | 11 | hex nut | 90711 105008 |
| 5 | elbow connector SS R3/8" x G3/8" | 99470 663838 | | | |