

# MATERIAL - DATA SHEET

**Topic:** Kopperschmidt Material Pressure Regulator

**Product:** Material Pressure Regulator

P10-VP / P10-VM/RM / P20-VM/RM / P50-VM/RM

P10-VP\_10-20-50\_VM\_RM\_MD\_E

Stand: 02/2020

Changes are possible without notice

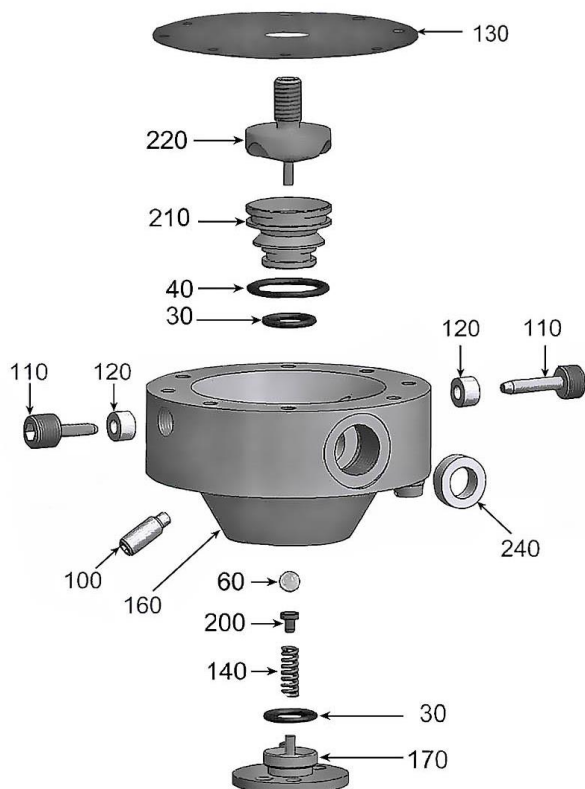
**Quality Products**

**MADE IN GERMANY**

by your famous brand

**K** SPRITZTECHNIK **T**  
**KOPPERSCHMID**

## Material contact parts for material pressure regulator P10-VP / P10-VM/RM / P20-VM/RM / P50-VM/RM



Pos.	Amount	Description	Material
30	2	o-ring	FPM
40	1	o-ring	FPM
60	1	ball	TC / Ceramic
100	2	screw	Carbon steel
110	2	locking screw with pin	Stainless Steel
120	1	sealing ring	POM
130	1	diaphragm	PTFE / NBR
140	1	spring	Stainless Steel
160	1	lower housing	Stainless Steel
170	1	lid	Stainless Steel
200	1	ball thrust	Stainless Steel
210	1	valve seat	Tungsten carbide
220	1	valve tappet	Stainless Steel
240	2	sealing ring	POM