

# MATERIAL - DATA SHEET

**Topic:** Kopperschmidt Material Pressure Regulator  
**Product:** Material Pressure Regulator  
 P100 / P200 / P270-VM/RM

P100-200-270-VM\_RM\_MD\_E

Stand: 02/2020

Changes are possible without notice

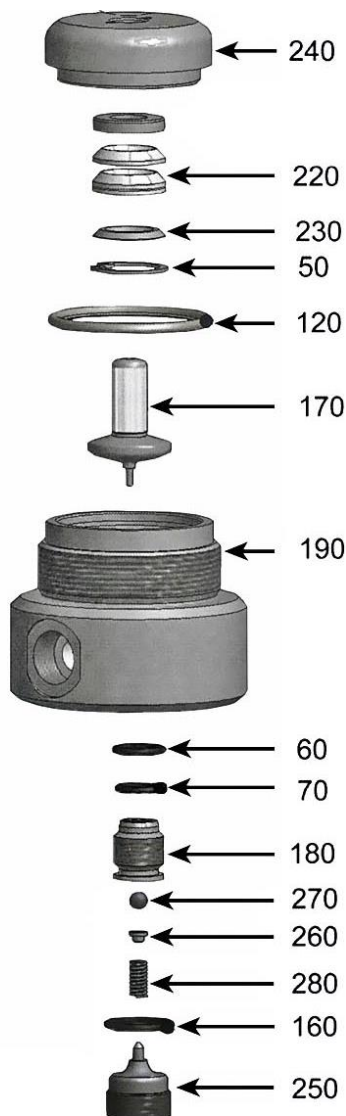
**Quality Products**



by your famous brand

**K** SPRITZTECHNIK **T**  
**KOPPERSCHMIDT**

## Material contact parts for material pressure regulator P100 / P200 / P270-VM/RM



Pos.	Amount	Description	Material
50	1	lock ring	Stainless Steel
60	1	o-ring	FPM
70	1	o-ring	FPM
120	1	o-ring	PTFE
160	1	o-ring	FPM
170	1	valve tappet	Stainless Steel / Tungsten carbide
180	1	valve seat	Stainless Steel / Tungsten carbide
190	1	lower housing	Stainless Steel
220	1	v-packing set	PTFE
230	1	lower gland	Stainless Steel
240	1	housing	Stainless Steel
250	1	locking screw	Stainless Steel
260	1	ball thrust	Stainless Steel
270	1	ball	Tungsten carbide / Ceramic
280	1	spring	Stainless Steel