

PRODUCT - DATA SHEET

Topic: Material Pressure Regulator
Product: Pneumatically operated material pressure regulator P10-VP Part-No: 15010 012000
P10-VP Art.-Nr.: 15010 01200P (PEEK)

P10VP_PD_E_e

Stand: 02/2019

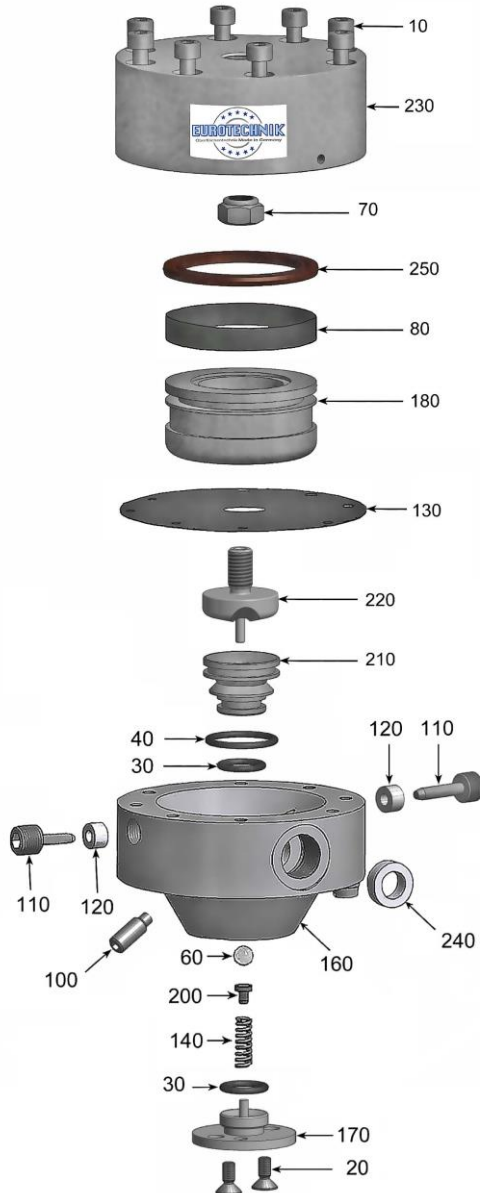
all rights reserved

Quality Products



by your famous brand

K SPRITZTECHNIK **T**
KOPPERSCHMID



Pos.	Amount	Description	Part-Number
10	8	screw	90711 005035
20	2	screw	96711 004010
30*	2	o-ring	
40*	1	o-ring	
60+	1	ball TC ~	
60+	1	ball ceramic ~	
70+	1	hex nut	
80+	1	guiding band	
100	2	screw	94710 206020
110	2	locking screw with pin	15010 010111
120	1	sealing ring	35450 004009
130*	1	diaphragm	
140+	1	spring	
160	1	lower housing	15010 012160
170	1	lid	15010 010170
180	1	piston	15010 012180
200+	1	ball thrust	
210+	1	valve seat TC (standard)	
210+	1	valve seat PEEK	
220	1	valve tappet	15010 010220
230	1	upper housing	15010 012231
240	2	sealing ring (optional)	35450 009015
250*	1	piston seal	

~ Dependent on the ordered service kit **TC** or **ceramic!**

Service Kits for Material Pressure Regulator:

Sealing kit includes marked * items **Part-No.: 20006 012001**

Service kit TC wear parts includes marked + items **Part-No.: 20016 012001**

Service kit ceramic wear parts includes marked + items **Part-No.: 20016 012002**

Service kit PEEK wear parts includes marked + items **Part-No.: 20016 012003**

Service kit TC includes marked * and + items **Part-No.: 20026 012001**

Service kit ceramic includes marked * and + items **Part-No.: 20026 012002**

Service kit PEEK includes marked * and + items **Part-No.: 20026 012003**