

PRODUCT - DATA SHEET

Topic: Material Pressure Regulator
Product: Pneumatically Operated Material Pressure Regulator P150-VP Part-No.: 15010 152000

P150VP_PD_E_e

Stand: 12/2018

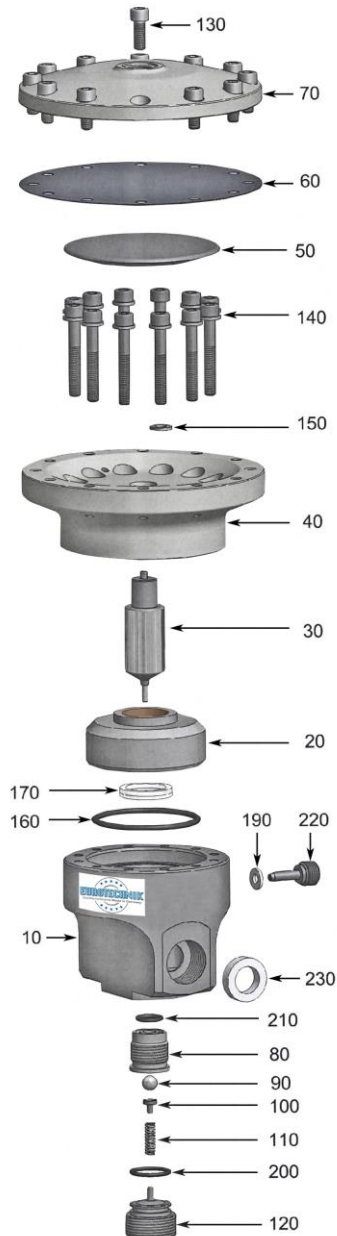
all rights reserved

Quality Products



by your famous brand

K SPRITZTECHNIK **T**
KOPPERSCHMID



Pos.	Amount	Description	Part-Number
10	1	valve housing	15010 062010
20	1	packing housing	15010 062020
30+	1	valve tappet	
40	1	diaphragm housing	15010 152040
50	1	diaphragm plate	15010 152050
60*	1	diaphragm	
70	1	lid	15010 152070
80+	1	hollow screw	
90+	1	ball TC ~	
90+	1	ball ceramic ~	
100+	1	ball thrust	
110+	1	spring	
120	1	locking screw	15010 062120
130	12	cylinder screw	90711 006016
140	12	cylinder screw	90711 006040
150	12	washer	90711 906012
160*	1	o-ring	
170*	1	groove ring	
190*	1	sealing ring	
200*	1	o-ring	
210*	1	o-ring	
220	1	locking screw	15010 062220
230*	2	sealing ring	

~ Dependent on the ordered service kit **TC** or **ceramic**!

Available service kits for material pressure regulator:

Sealing Kit includes marked * items **Part-No.: 20006 152001**

Service Kit TC wear parts includes marked + items **Part-No.: 20016 062001**

Service Kit ceramic wear parts includes marked + items **Part-No.: 20016 062002**

Service Kit TC includes marked* and + items **Part-No.: 20026 152001**

Service Kit ceramic includes marked* and + items **Part-No.: 20026 152002**