

MATERIAL - DATA SHEET

Topic: Kopperschmidt Material Pressure Regulator
Product: Material Pressure Regulator
P20-RM - 1“

P20-RM-1“_MD_E

Stand: 02/2020

Changes are possible without notice

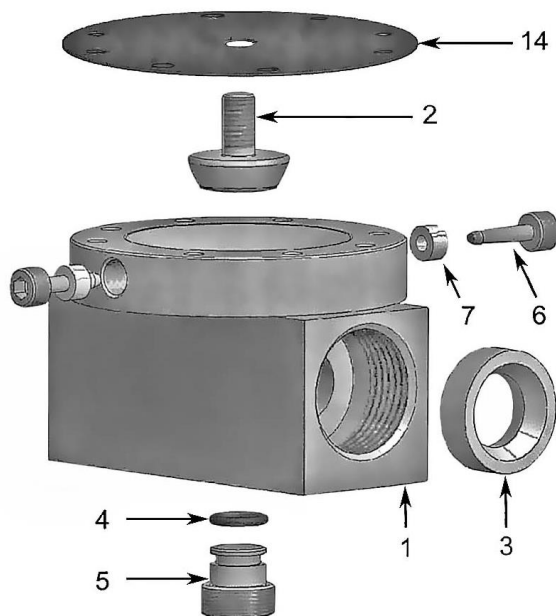
Quality Products

MADE IN GERMANY

by your famous brand

K SPRITZTECHNIK **T**
KOPPERSCHMID

Material contact parts for material pressure regulator P20-RM - 1“



| Pos. | Amount | Description | Material |
|------|--------|------------------------|------------------------------------|
| 1 | 1 | lower housing | Stainless Steel / Tungsten carbide |
| 2 | 1 | valve tappet | Stainless Steel / Tungsten carbide |
| 3 | 2 | sealing ring | POM |
| 4 | 1 | o-ring | FPM |
| 5 | 1 | locking screw | Stainless Steel |
| 6 | 2 | locking screw with pin | Stainless Steel |
| 7 | 2 | sealing ring | POM |
| 14 | 1 | diaphragm | PTFE / NBR |