

# MATERIAL - DATA SHEET

**Topic:** Kopperschmidt Material Pressure Regulator  
**Product:** Material Pressure Regulator  
 P200-VP

P200-VP\_MD\_E

Stand: 02/2020

Changes are possible without notice

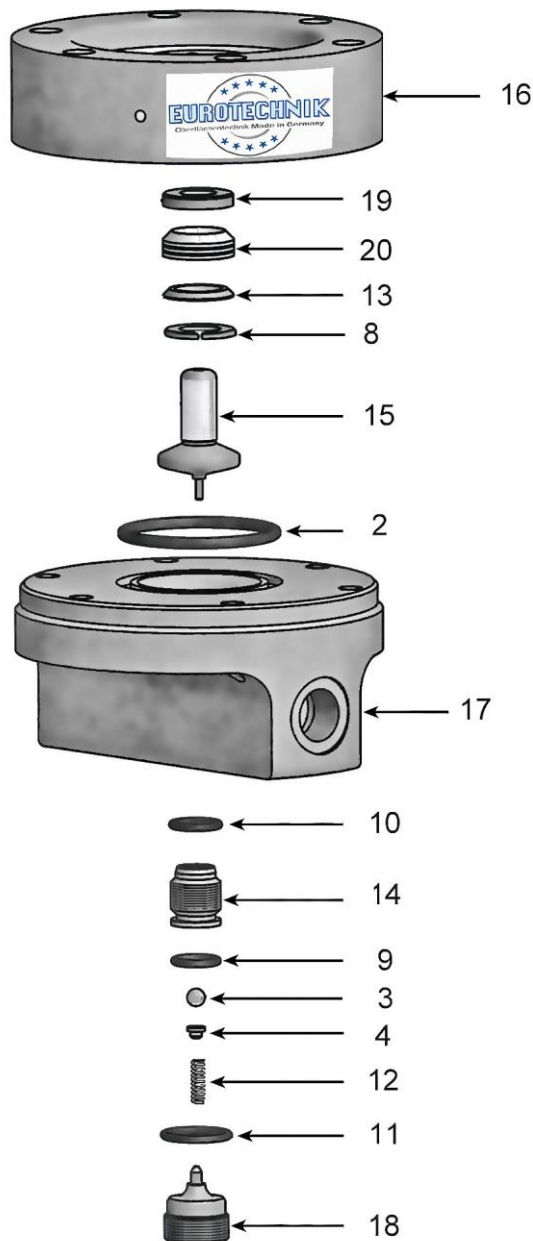
**Quality Products**



by your famous brand

**K** SPRITZTECHNIK **T**  
 KOPPERSCHMIDT

## Material contact parts for material pressure regulator P200-VP



Pos.	Amount	Description	Material
2	1	o-ring	Viton
3	1	ball	Tungsten carbide /
4	1	ball thrust	Stainless Steel
8	1	lock ring	Stainless Steel
9	1	o-ring	FPM
10	1	o-ring	FPM
11	1	o-ring	FPM
12	1	spring	Stainless Steel
13	1	packing ring	Stainless Steel
14	1	valve seat	Stainless Steel / Tungsten
15	1	valve tappet	Stainless Steel / Tungsten
16	1	housing	Stainless Steel
17	1	lower housing	Stainless Steel
18	1	locking screw	Stainless Steel
19	1	packing ring	Stainless Steel
20	1	v-packing set	PTFE