

PRODUCT - DATA SHEET

Topic: Material Pressure Regulator
Product: Pneumatically Operated Material Pressure Regulator P200-VP Part-No.: 15010 202000

P200VP_PD_E_e

Stand: 12/2018

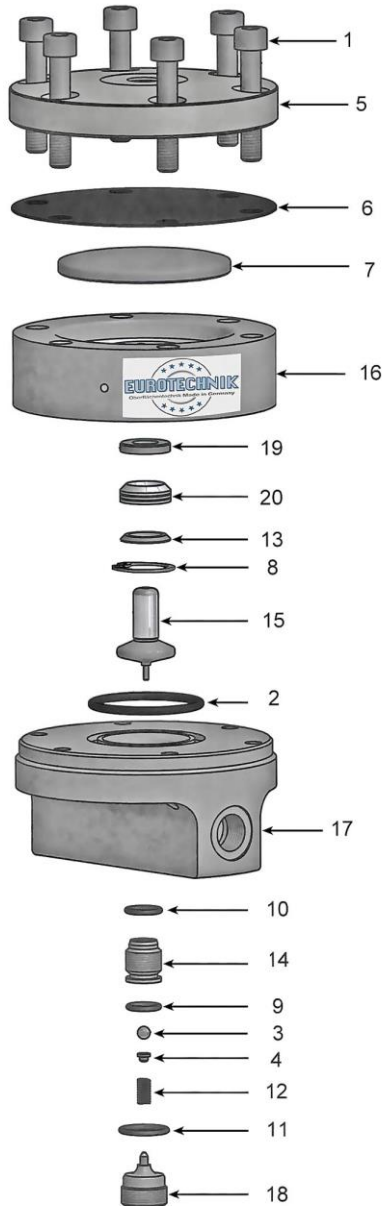
all rights reserved

Quality Products

MADE IN GERMANY

by your famous brand

K SPRITZTECHNIK **T**
KOPPERSCHMID



Pos.	Amount	Description	Part Number
1	6	cylinder screw	90711 008045
2*	1	o-ring	
3+	1	ball TC ~	
3+	1	ball ceramic ~	
4+	1	ball thrust	
5	1	lid	15010 202051
6*	1	diaphragm	
7	1	diaphragm plate	15010 202071
8+	1	lock ring	
9*	1	o-ring	
10*	1	o-ring	
11*	1	o-ring	
12+	1	spring	
13	1	retaining ring	15010 100231
14+	1	valve seat	
15+	1	valve tappet	
16	1	packing housing	15010 202161
17	1	lower housing	15010 202171
18	1	locking screw	15010 100251
19	1	pressure ring	15010 100211
20*	1	v-packing set	

~ Dependent on the ordered service kit **TC** or **ceramic**!

Available service kits for material pressure regulator:

Sealing Kit includes marked * items **Part-No.: 20006 202001**

Service Kit TC wear parts includes marked + items **Part-No.: 20016 202001**

Service Kit ceramic wear parts includes marked + items **Part-No.: 20016 202002**

Service Kit TC includes marked * and + items **Part-No.: 20026 202001**

Service Kit ceramic includes marked * and + items **Part-No.: 20026 202002**