

MATERIAL - DATASHEET

Topic: Material pressure regulator
Product: Recirculation valve material overview
 for wetted parts

recirculation valve_MD_E

Stand 07/2016

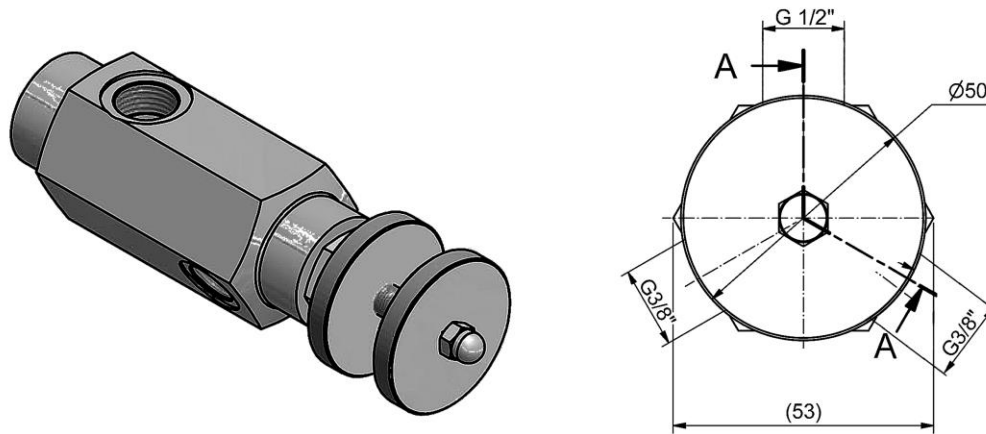
all rights reserved

Quality Products

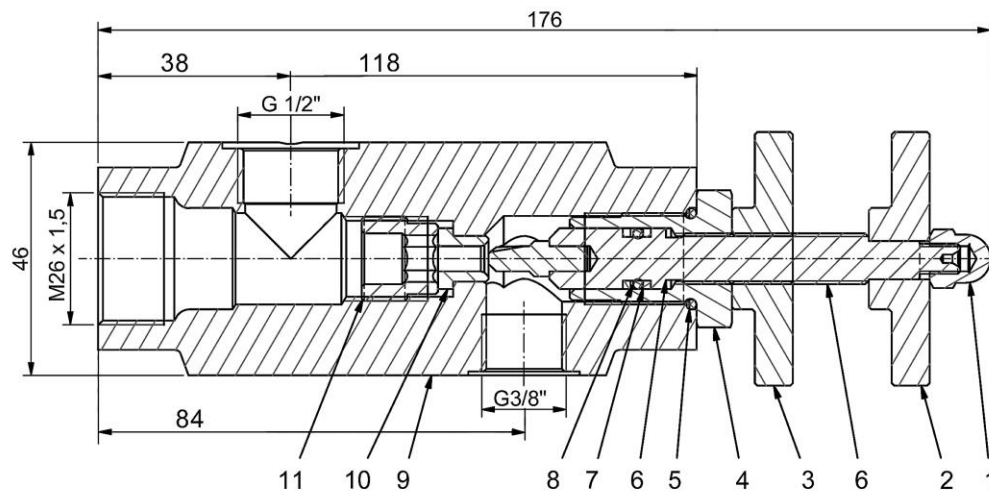
MADE IN GERMANY

by your famous brand

K SPRITZTECHNIK **T**
KOPPERSCHMID



A-A (1:1)



Pos.	Amount	Description	Material
1	1	dome nut	zinc plated steel
2	1	adjustment knob	aluminium
3	1	lock nut	aluminium
4	1	valve spindle nut	stainless steel
5	1	o-ring	FPM
6	1	valve spindle	stainless steel / tungsten carbide
7	2	split ring PTFE	PTFE
8	1	o-ring	FPM
9	1	housing	stainless steel
10	1	valve seat	tungsten carbide
11	1	lock ring	stainless steel