

PRODUCT - DATA SHEET

Topic: Material pressure regulator
Product: Recirculation valve
Part Number: 15010 000100

ZV_PD_E

Stand 07/2016

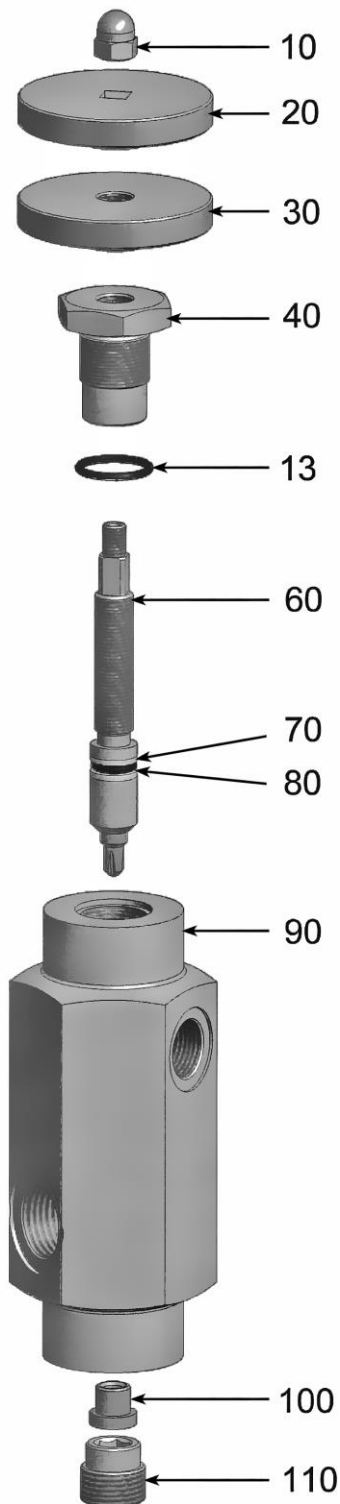
all rights reserved

Quality Products

MADE IN GERMANY

by your famous brand

K SPRITZTECHNIK
KOPPERSCHMID T



Pos.	Amount	Description	Part Number
10	1	dome nut	90711 A06010
20	1	adjustment knob	15010 000102
30	1	lock nut	15010 000103
40	1	valve spindle nut	15010 000104
50	1	o-ring	32020 016200
60	1	valve spindle	15010 000106
70	2	split ring PTFE	39417 008150
80	1	o-ring	32020 008200
90	1	housing	15010 000111
100	1	valve seat	15010 000109
110	1	lock ring	15010 000110