

PRODUCT - OVERVIEW

Topic: Material pressure regulator

Product: Circulation valve

Zirkulationsventil_PÜ_E

Stand: 04/2019

all rights reserved

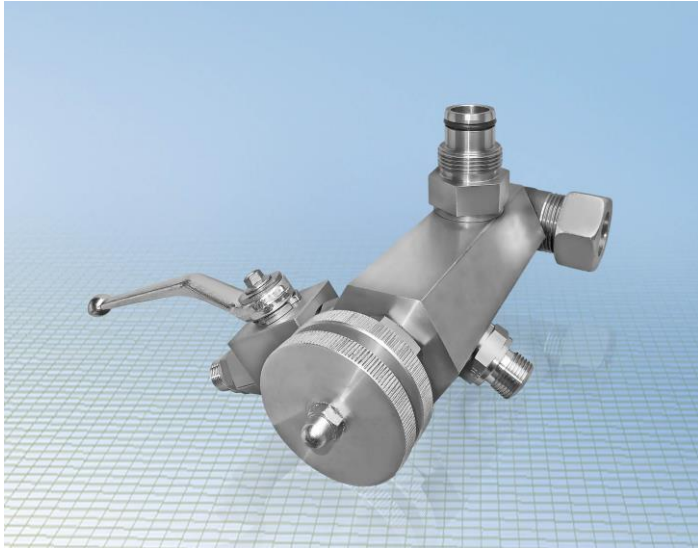
Quality Products

MADE IN GERMANY

by your famous brand

K SPRITZTECHNIK **T**
KOPPERSCHMIDT

Kopperschmidt Circulation valve



The main field of application is spraying devices with material preheating. In the system heated material is circulated and kept at temperature. When material is removed, cold material is taken from the storage container. This minimizes energy consumption and ensures a consistently preheated temperature without completely heating up the material supply.

The Kopperschmidt circulation valve is available in connection sizes 3/4" or D22.

The circulation valve is designed to be mounted directly under the suction port of the pump. There are also connections for suction hose, return line and drainage connection.

Connection diagram for circulation valve:

