

# PRODUCT - DATA SHEET

**Topic:** Pneumatic Diaphragm Pump

**Product:** **KS20850 Alu** Part-No.: 20850 000000-x

**KS20850 Stainless Steel** Part-No.: 20850 000005-x

KS20850\_Alu+EST\_PD\_E\_e

Stand: 05/2019

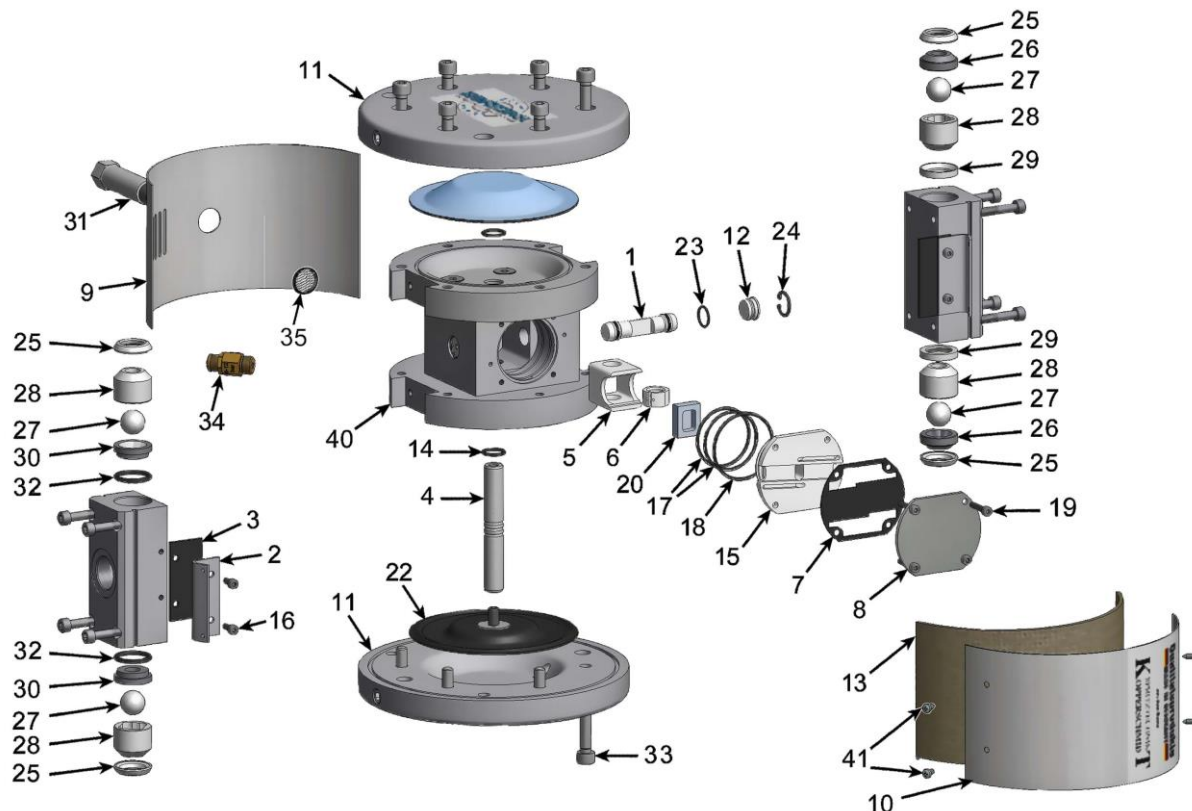
all rights reserved

**Quality Products**



by your famous brand

**KOPERSCHMIDT**  
SPRITZTECHNIK



### Available service kits for pneumatic Diaphragm Pump:

The service kit **controls** includes items marked x:

**Part-No.: 20022 285828**

The service kit **valves** includes items marked °:

**Part-No.: 20025 285809**

The service kit **diaphragm** includes items marked \*:

**Part-No.: 20040 085800**

The service kit **seals** includes items marked #:

**Part-No.: 20028 285800**

**Repair kit complete**, consisting of : -, x, °, \* and #:

**Part-No.: 2000F 285800**

Pos.	Amount	Description	Part Number	Pos.	Amount	Description	Part Number
1x	1	driver rod assy		19	4	cylinder head screw +	90711 004016
2	2	retaining sheet	20850 002001	20x	1	flat slider	
3	2	silencer	20850 003001	22*	2	diaphragm	
4-	1	piston rod		23#	2	o-ring	
5x	1	carriage driver		24x#	2	retaining ring	
6x	1	lock ring		25*	4	profile seal	
7#	1	flat seal		26°	2	valve seat	
8	1	lid	20850 008001	27°	4	ball	
9	1	cover panel 1	20850 009001	28°	4	ball guide	
10	1	cover panel 2	20850 010001	29°	2	profile ring	
11	2	lid <b>alu</b>	20850 011001	30°	2	valve seat	
11a	2	lid <b>SS</b>	20850 011005	31	1	air connector	20850 031001
12x	2	plug		32#	2	o-ring	
13	1	blanket insulator	20850 013001	33	12	cylinder head screw ++	90711 008030
14#	2	o-ring		34	1	safety valve 8,5 bar	15952 0112085
15x	1	sliding seat		35	1	sieve disc	15921 905001
16	4	cylinder head screw	90711 004010	40	1	pump body assy	
17#	2	o-ring		41	4	screw	95711 3B039009
18#	1	o-ring					

+ torque with 3 to 3,5Nm

++ torque with 25Nm

Reproduction is not permitted without written permission of L. R. Eurotechnik KG!

L. R. Eurotechnik KG Hohnshecker Weg 18 D-53881 Euskirchen - Germany