

MATERIAL - DATA SHEET

Topic: Pneumatic Diaphragm Pump
Product: **KS20850 Alu** Part-No.: 20850 000000-x
KS20850 Stainless Steel Part-No.: 20850 000005-x
KS20850 Polypropylene Part-No.: 20850 00000A-x

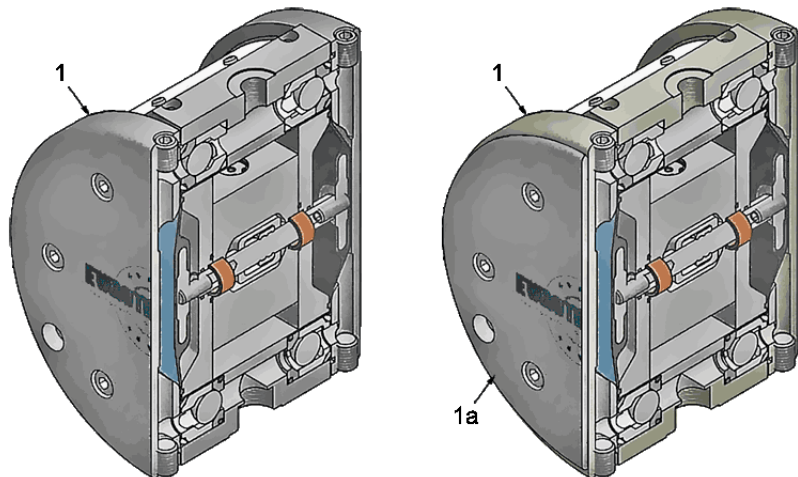
KS20850_MD_E

Stand: 05/2019

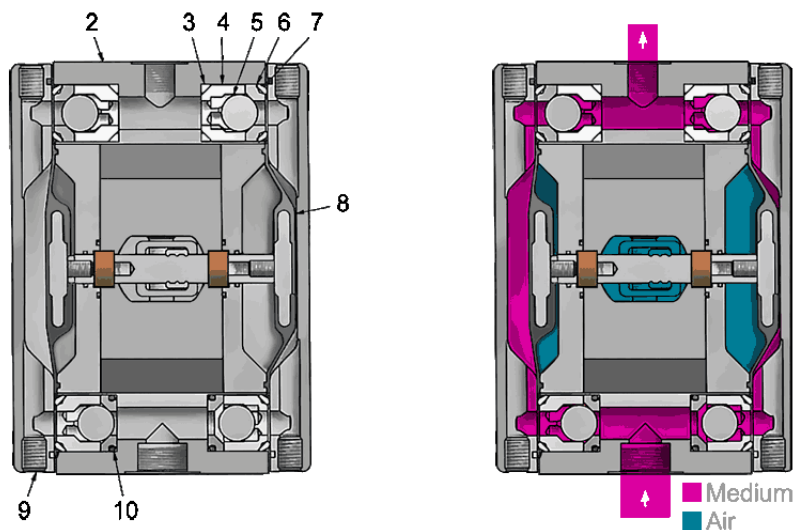
all rights reserved

Quality Products

MADE IN GERMANY
 by your famous brand
KOPERSCHMIDT
 SPRITZTECHNIK



Side view



Pos.	Description	Material
1	lid	Aluminum, Aluminum anodized, Stainless Steel, Polypropylene *
1a	lid 2	Stainless Steel
2	inlet/ outlet valve	Aluminum, Aluminum anodized, Stainless Steel, Polypropylene *
3	profiled seal	POM
4	ball guide	POM
5	ball	POM
6	valve seat	Stainless Steel
7	profiled seal	PE
8	diaphragm	NBR / PTFE
9	grub screw	Stainless Steel
10	o-ring	FPM

*Version depending on ordered pump version.