

MATERIAL - DATA SHEET

Quality Products

MADE IN GERMANY

by your famous brand

SPRITZTECHNIK
KOPPERSCHMID T

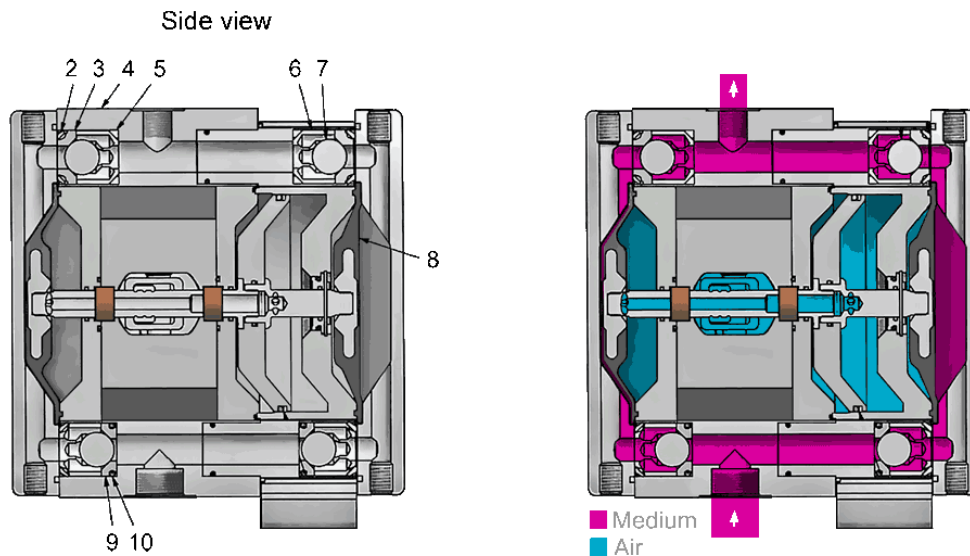
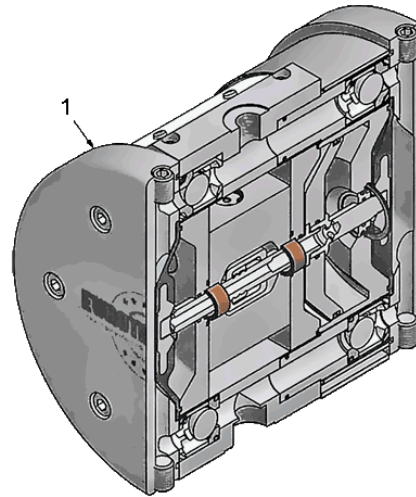
Topic: Pneumatic Diaphragm Pump

Product: KS20853 Stainless Steel Part-No.: 20853 000005-x

KS20853_MD_E

Stand: 05/2019

all rights reserved



| Pos. | Description | Material |
|------|---------------------|-----------------|
| 1 | Lid | Stainless Steel |
| 2 | Profiled seal | PE |
| 3 | Valve seat | Stainless Steel |
| 4 | Inlet/ outlet valve | Stainless Steel |
| 5 | Profiled seal | POM |
| 6 | Ball guide | POM |
| 7 | Ball | POM |
| 8 | Diaphragm | NBR / PTFE |
| 9 | Profiled seal | Stainless Steel |
| 10 | O-ring | FPM |