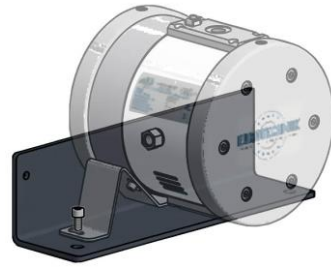


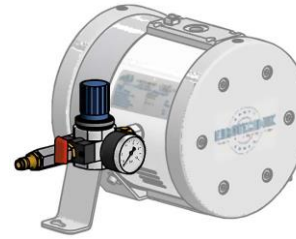
Overview of pump mounting options for pneumatic Diaphragm Pump KS20853



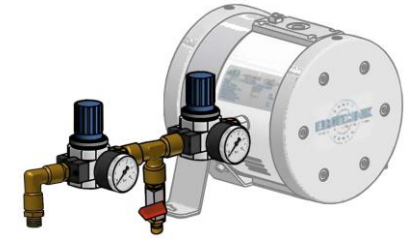
KS20853 with mounting angle



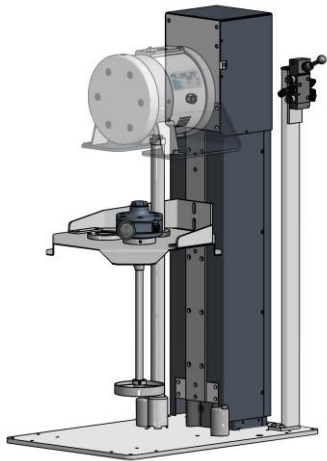
KS20853 with wall console



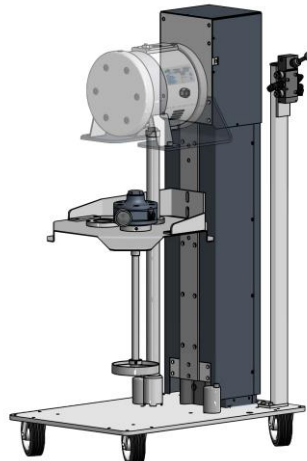
KS20853 with pneumatic connection unit single



KS20853 with pneumatic connection unit dual

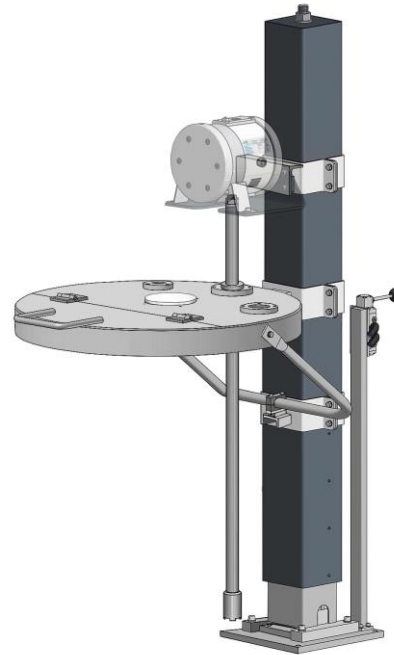


stationary version

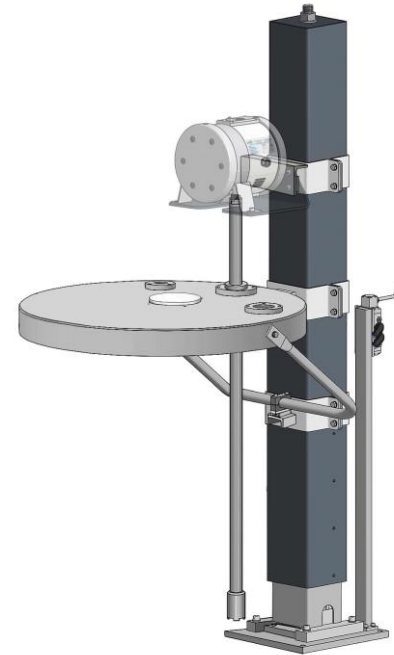


mobile version

KS20853 with octagon lid; agitator and suction pipe with check valve on 30 liter Pneumatic lift



*hinged lid



* closed lid



*octagon lid

KS20853 with *, suction pipe with check valve on 200 liter Pneumatic lift