

# PRODUCT - DATA SHEET

**Topic:** Pneumatic Diaphragm Pump

**Product:** KS20853 Stainless Steel Part-No.: 20853 000005-x

KS20853\_PD\_E\_e

Stand: 05/2019

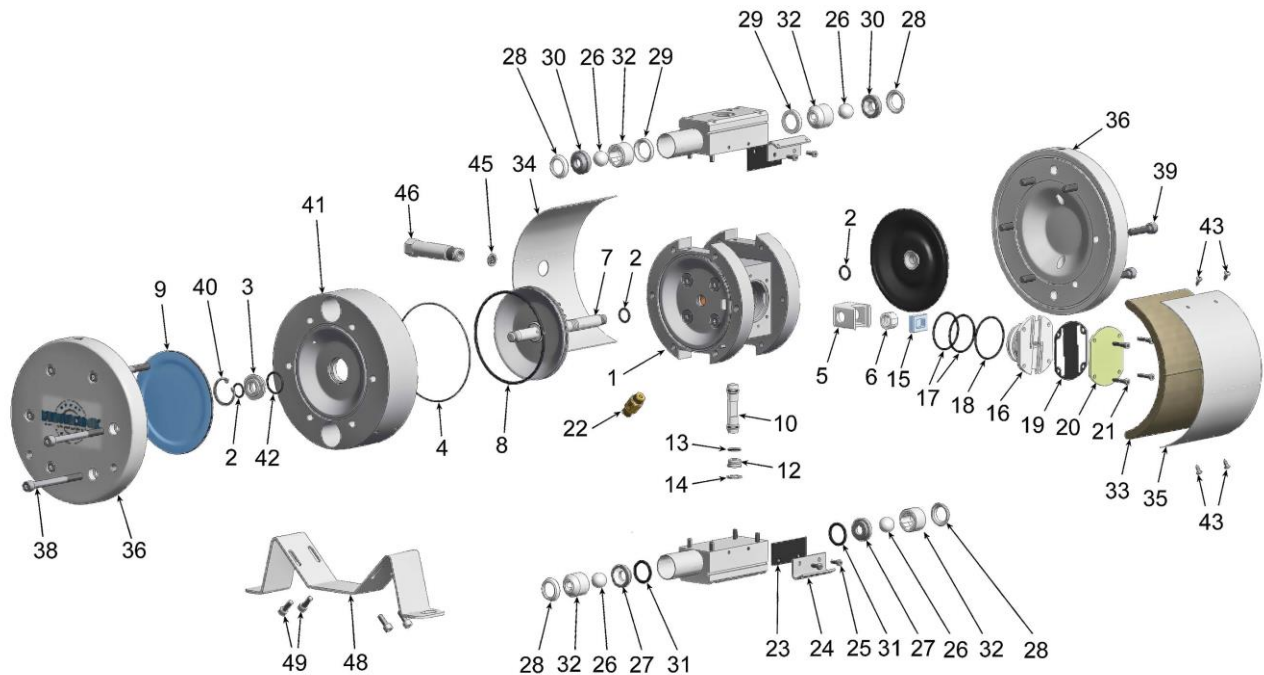
all rights reserved

**Quality Products**

MADE IN GERMANY

by your famous brand

**K SPRITZTECHNIK T**  
**KOPPERSCHMID T**



## Available service kits for pneumatic diaphragm:

The service kit **controls** includes items marked °:

The service kit **valves** includes items marked \*:

The service kit **diaphragm** includes items marked x:

The service kit **seals** includes items marked ~:

The spare parts **bearing** includes items marked #:

**Repair kit complete**, consisting of: °, \*, x, # and ~:

**Part-No.: 20022 285828**

**Part-No.: 20025 285809**

**Part-No.: 20040 075830**

**Part-No.: 20028 285830**

**Part-No.: 2002I 308838**

**Part-No.: 2002F 308838**

Pos.	Amount	Description	Part Number	Pos.	Amount	Description	Part Number
1	1	pump body assy		25	4	cylinder head screw	90711 004010
2~	3	o-ring		26*	4	ball	
3#	1	bearing bush		27*	2	valve seat	
4~	1	o-ring		28x	4	sealing profile	
5°	1	carriage driver		29*	2	profile ring	
6°	1	lock ring		30*	2	valve seat	
7	1	disc piston assy	20853 070001	31~	2	o-ring	
8~	1	o-ring		32*	4	ball guide	
9x	2	diaphragm		33	1	blanket insulator	20850 013001
10°	1	driver rod assy		34	1	cover panel 1	20850 009001
12°	2	sealing plug		35	1	cover panel 2	20850 010001
13~	2	o-ring		36	2	lid	20853 011005
14°	2	retaining ring		38	6	cylinder head screw ++	90711 008090
15°	1	flat slider		39	6	cylinder head screw	90711 008035
16°	1	sliding seat		40#	1	retaining ring	
17~	2	o-ring		41	1	cylinder	20853 054001
18~	1	o-ring		42~	1	o-ring	
19~	1	flat seal		43	4	screw	95711 3B039009
20	1	lid	20850 008001	45	1	sieve disc	15921 905001
21	4	cylinder head screw +	90711 004020	46	1	air connector	20850 031001
22	1	safety valve 8 bar	15952 011208	48	1	mounting bracket	20853 055001
23	2	silencer	20850 003001	49	4	cylinder head screw	90711 006012
24	2	retaining sheet	20850 002001				

+ torque with 3 to 3,5 Nm

++ torque with 27 Nm