

PRODUCT - INFORMATION

Quality Products

MADE IN GERMANY

by your famous brand

K SPRITZTECHNIK T
KOPPERSCHMID

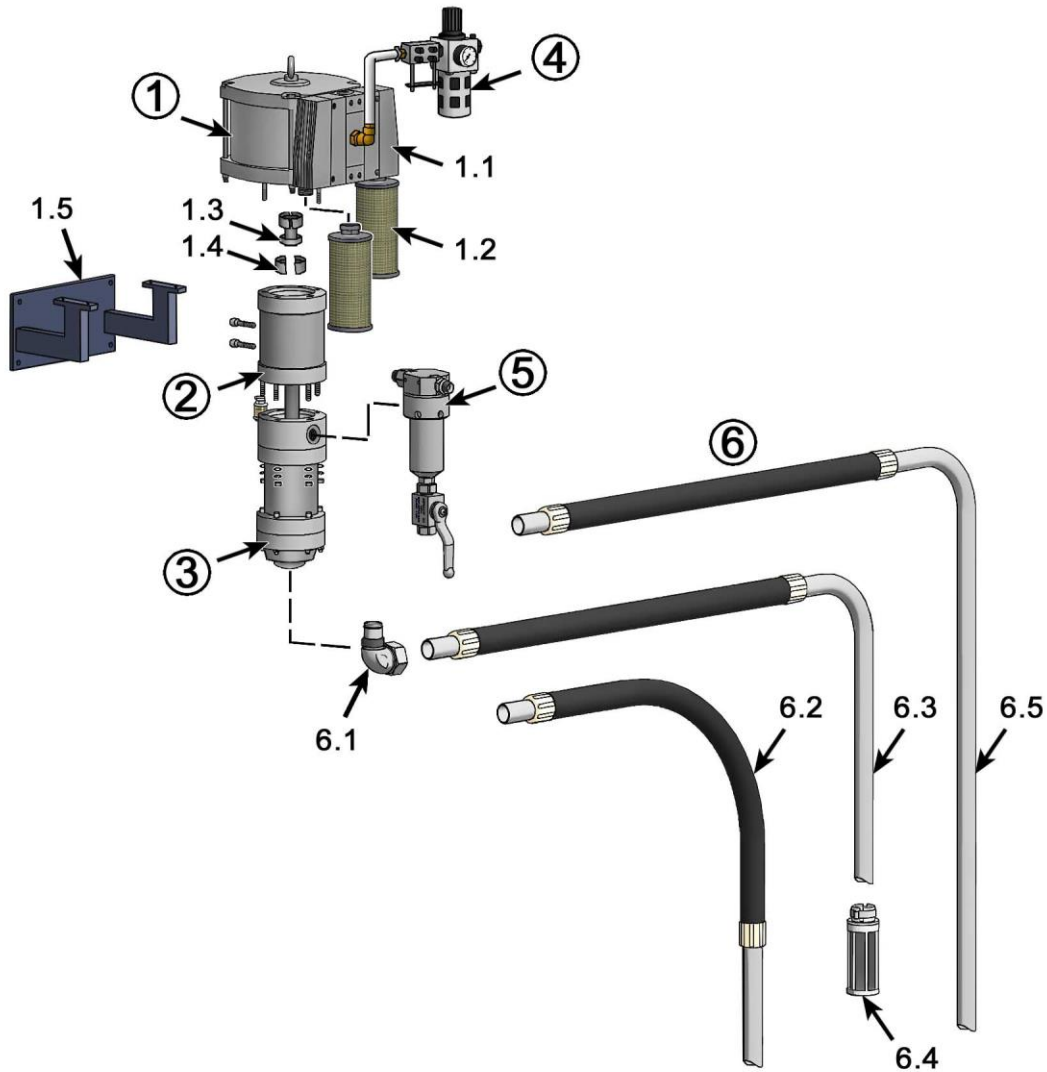
Topic: Kopperschmidt Classic Line

Product: Piston pump T2001-110/150/220 with attachment parts

T2001-110-150-220_Zubehör_PI_E

Stand: 09/2018

all rights reserved



| Pos. | Amount | Description | Part-No. | Pos. | Amount | Description | Part-No. |
|------|--------|--|--------------|------|--------|--|--------------|
| 1 | 1 | Air motor-T2001-D230 S120 | 20012 311200 | 3 | 1 | Fluid section T2001-150 | 20011 500000 |
| 1 | 1 | Air motor-T2001-D300 S120 | 20013 011200 | 3 | 1 | Fluid section T2001-220 | 20012 200000 |
| 1.1 | 1 | Air control block | 2001D xxx120 | 4 | 1 | Air regulator and maintenance unit | 15950 5xxxxx |
| 1.2 | 2 | Silencer G1 ½" | 15003 015004 | 5 | 1 | High pressure filter PN500 with drain ball valve | 15005 002001 |
| 1.3 | 1 | Floating piston | 20012 201451 | 6 | | Suction system D28 flexible | |
| 1.4 | 2 | Muff coupling | 20012 220000 | 6.1 | 1 | Swivel adapter D28 assy | 15006 140001 |
| 1.5 | 1 | Wall mounting angle for D230 | 29103 223011 | 6.2 | 1 | Suction system Hobbock straight | 15007 541092 |
| 1.5 | 1 | Wall mounting angle for D300 | 29103 230011 | 6.3 | 1 | Suction system Hobbock 90° | 15007 531101 |
| 2 | 1 | Coupling casing for air motor T2001 - 110/150/220 - S120 | 20012 209801 | 6.4 | 1 | Suction strainer D28 | 15920 302818 |
| 3 | 1 | Fluid section T2001-110 | 20011 100000 | 6.5 | 1 | Suction system for 200L barrel | 15007 531163 |

Reproduction is not permitted without written permission of L. R. Eurotechnik KG!
L. R. Eurotechnik KG Hohnshecker Weg 18 D-53881 Euskirchen - Germany