

PRODUCT - DATA SHEET

Topic: Kopperschmidt high pressure pumps

Product: TAP20-D160 basic unit

Part-No.: 2001P 020160

TAP20-D160_Hochdruckpumpe_Basisgerät_PD_E_e

Stand: 08/2020

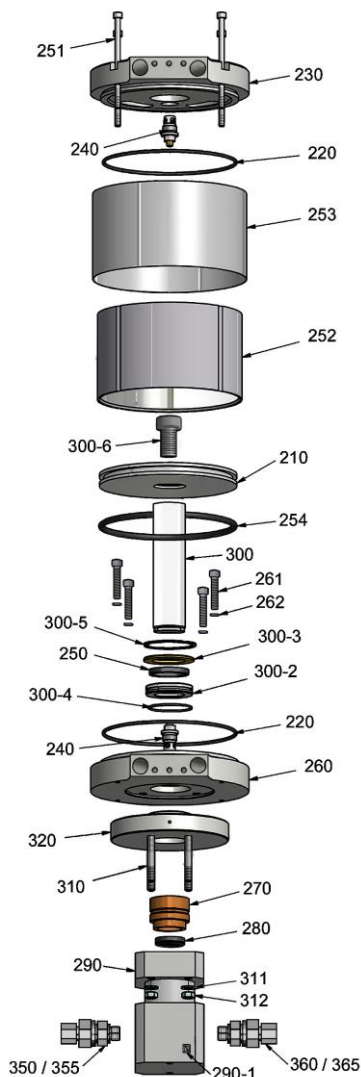
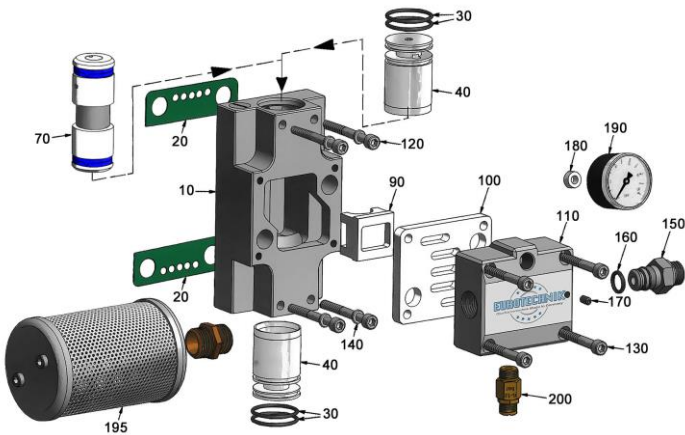
Changes are possible without notice

Quality Products

MADE IN GERMANY

— by your famous brand —

K SPRITZTECHNIK T
KOPPERSCHMID T



Pos.	Amount	Description	Part Number
10	1	housing	20010 100101
20#	2	flat seal	
30#	4	o-ring	
40	2	bushing	20010 100401
70	1	control piston assy	20010 100701
90	1	sider	20010 100901
100	1	slide plate	20010 101001
110	1	connector	20010 101101
120	4	cylinder screw ¹	90711 006055
130	4	cylinder screw ²	90711 006045
140	4	disc	90711 906012
150	1	connector	20010 101501
160#	1	o-ring	
170	1	grub screw	91711 205010
180#	1	sealing	
190	1	air pressure gauge	82050 010141
195	1	silencer	15003 012004
200	1	safety valve 5,5 bar max. 300 bar	15952 011200
200	1	safety valve 7,5 bar max. 420 bar	15952 011200
210	1	disc piston	20011 600601
220#	2	o-ring	
230	1	cylinder lid	20011 600101
240	2	sensing valve	20010 010001
250#	1	groove ring	
251	4	cylinder screw ³	90711 006130
252	1	cylinder	20011 600201
253	1	cover	20011 601201
254#	1	o-ring	
260	1	cylinder ground	2001P 012260-160
261	4	cylinder screw ⁴	90711 008035
262	4	screw head seal	32B00 008001
270	1	bushing	2001P 020270
280~	1	groove ring	
290	1	housing	2001P 020290
290-1	1	ground terminal	
300	1	plunger	2001P 020300
300-2	1	connection bushing	2001P 020300-2
300-3	1	disc	2001P 020300-3
300-4~	1	o-ring	
300-5	1	retaining ring	90810 472056
300-6	1	cylinder screw	9E710 016030
310	4	setscrew	2001P 0xx310
311	4	disc	90711 908016
312	4	hex nut	90711 708000
320	1	connection flange	2001P 020320
350	1	check valve IN, Stvz	2001P 020350
355	1	check valve IN, VA	2001P 020355
360	1	check valve OUT, Stvz	2001P 020360
365	1	check valve OUT, VA	2001P 020365

^{1/2/3} torque with 10Nm (Mean value of the thread table)

⁴ torque with 26Nm (Mean value of the thread table)

Available service kits for high pressure pump TAP20:

Service kit sealings # for drive:

Part-No.: 20001 02088D

Service kit sealings ~ for fluid section:

Part-No.: 20000 02088D