

# PRODUCT - DATA SHEET

**Topic:** Kopperschmidt high pressure pumps  
**Product:** TAP60-D160 basic unit  
 Part-No.: 2001P 060160

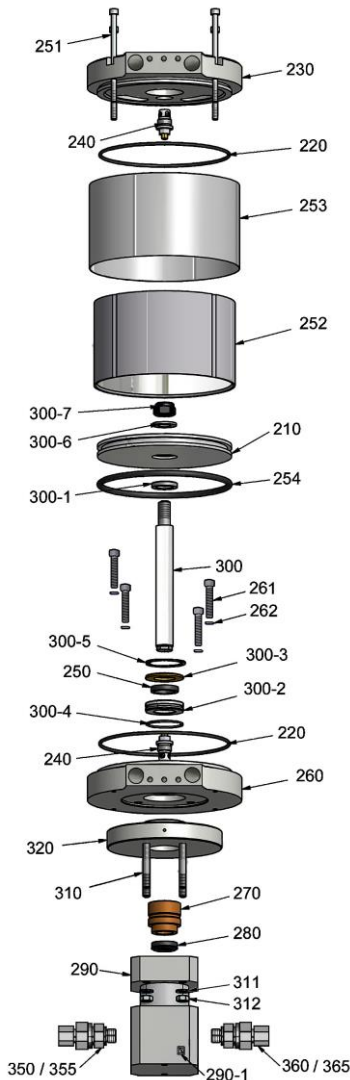
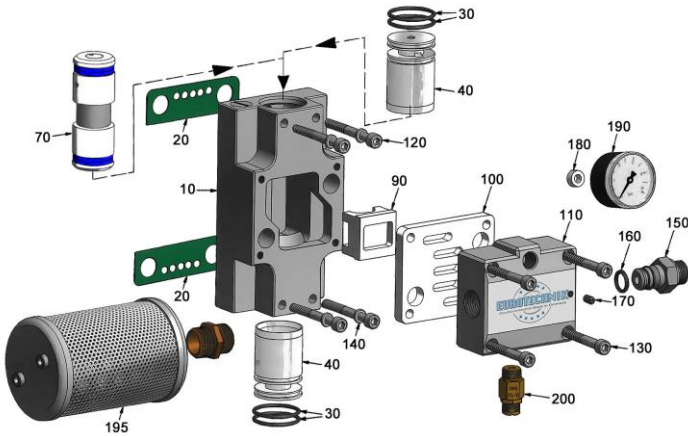
TAP60-D160\_Hochdruckpumpe Basisgerät\_PD\_E\_e Stand: 08/2020 Changes are possible without notice

**Quality Products**



by your famous brand

**K SPRITZTECHNIK T**  
**KOPPERSCHMID T**



	Pos.	Amount	Description	Part Number
Air control block	10	1	housing	20010 100101
	20#	2	flat seal	
	30#	4	o-ring	
	40	2	bushing	20010 100401
	70	1	control piston assy	20010 100701
	90	1	slider	20010 100901
	100	1	slide plate	20010 101001
	110	1	connector	20010 101101
	120	4	cylinder screw <sup>1</sup>	90711 006055
	130	4	cylinder screw <sup>2</sup>	90711 006045
	140	4	disc	90711 906012
	150	1	connector	20010 101501
	160#	1	o-ring	
	170	1	grub screw	91711 205010
	180#	1	sealing	
	190	1	air pressure gauge	82050 010141
	195	1	silencer	15003 012004
	200	1	safety valve 5,5 bar max. 300 bar	15952 011200
	200	1	safety valve 7,5 bar max. 420 bar	15952 011200
	Air motor	210	1	disc piston
220#		2	o-ring	
230		1	cylinder lid	20011 600101
240		2	sensing valve	20010 010001
250#		1	groove ring	
251		4	cylinder screw <sup>3</sup>	90711 006130
252		1	cylinder	20011 600201
253		1	cover	20011 601201
254#		1	o-ring	
260		1	cylinder ground	20011 600301-1.2
Fluid section	261	4	cylinder screw <sup>4</sup>	90711 008035
	262	4	screw head seal	32B00 008001
	270	1	bushing	2001P 060270
	280~	1	groove ring	
	290	1	housing	2001P 060290
	290-1	1	ground terminal	
	300	1	plunger	2001P 060300
	300-1	1	centering disc	2001P 060300-1
	300-2	1	connection bushing	2001P 060300-2
	300-3	1	disc	2001P 060300-3
	300-4~	1	o-ring	
	300-5	1	retaining ring	90810 472045
	300-6	1	washer	90711 915028
	300-7	1	locking nut	90711 614022
	310	4	setscrew	2001P 0xx310
311	4	disc	90711 908016	
312	4	hex nut	90711 708000	
320	1	connection flange	2001P 060320	
350	1	check valve IN, Stvz	2001P 060350	
355	1	check valve IN, VA	2001P 060355-400	
360	1	check valve OUT, Stvz	2001P 060360	
365	1	check valve OUT, VA	2001P 060365-400	

<sup>1/2/3</sup> torque with 10Nm (Mean value of the thread table)

<sup>4</sup> torque with 26Nm (Mean value of the thread table)

**Available service kits for high pressure pump TAP60:**

Service kit sealings # for drive: **Part-No.: 20001 06088D**

Service kit sealings ~ for fluid section: **Part-No.: 20000 06088D**