

PRODUCT - DATA SHEET

Quality Products

MADE IN GERMANY

by your famous brand

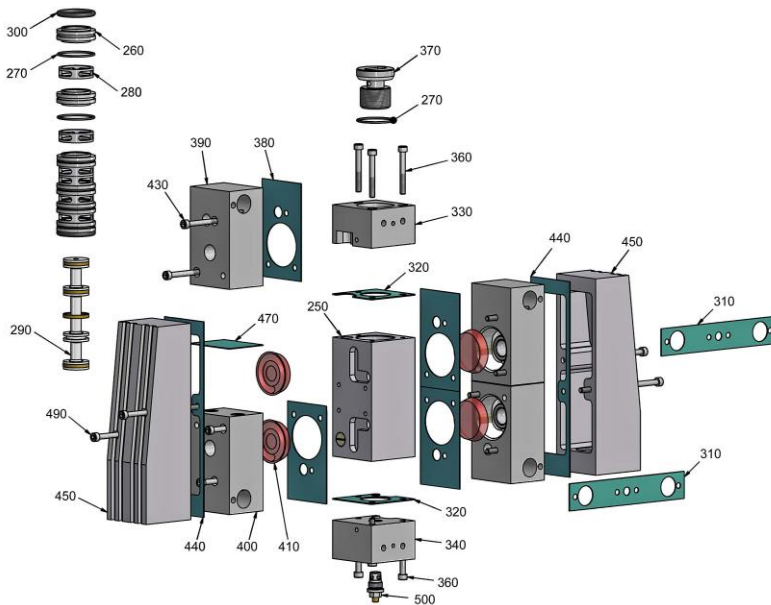
K SPRITZTECHNIK T
KOPPERSCHMIDT

Topic: **Kopperschmidt Classic Line**
Product: **T2001-23.340 (D300 S120-340) Piston pump**

T2001_23_340 Kolbenpumpe_PD_E_e

Stand: 08/2020

Changes are possible without notice

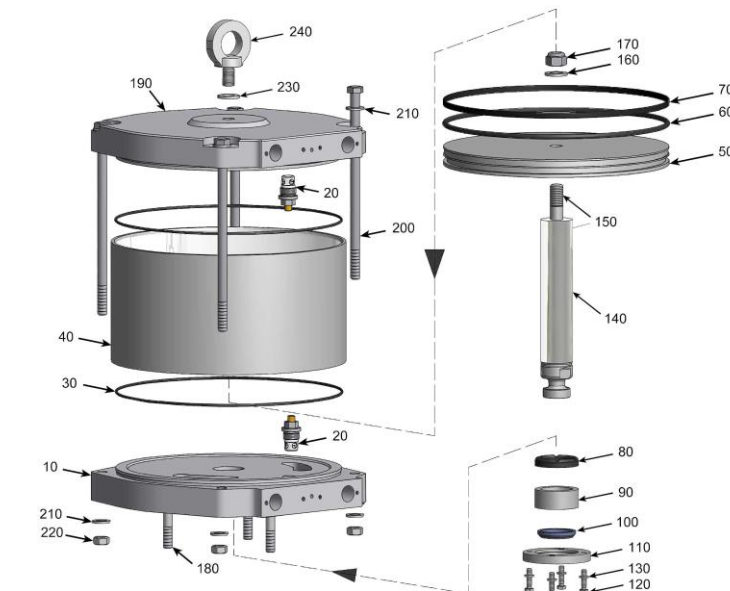


Available service kit for Air Control Block:

Service kit sealings **Part-No. 20002 121608 ***

Air Control Block			
Part-No.: 2001D XXX120			
Pos.	Menge	Beschreibung	Art.-Nr.
250	1	housing	20013 002501
260	6	bush	20013 002601
270*	7	o-ring	
280	6	spacer ring	20013 002801
290	1	control piston assy	20013 002901
300*	2	o-ring	
310*	2	flat seal	
320*	2	flat seal	
330	1	connector upper	20013 003301
340	1	connector lower	20013 003401
360	6	cylinder screw ¹	90711 006050
370	1	hollow screw	20013 003701
380*	4	flat seal	
390	2	housing	20013 003901
400	2	housing	20013 004001
410	4	cup seal	33311 050000
430	8	cylinder screw ²	90711 006060
440*	2	flat seal	
450	2	outlet housing	20013 004501
470*	2	flat seal	
490	4	cylinder screw ³	90711 006120
500	1	reset button	20010 010001

^{1/2/3} torque with 10Nm (Mean value of the thread table)



Available service kit for Air Motor:

Service kit sealings **Part-No. 20001 300608 ***

Air Motor			
Part-No.: 20013 011200			
Pos.	Amount	Description	Part Number
10	1	bottom casting	20013 000101
20	2	sensing valve	20010 010001
30*	2	o-ring	
40	1	cylinder tube	20013 000401
50	1	piston disk	20013 000501
60*	1	o-ring	
70*	1	guide band	
80*	1	sealing ring	
90	1	bush	20013 000901
100*	1	sealing disk	
110	1	flange	20013 001101
120	4	hex screw ¹	90711 106025
130	4	disk	90711 906012
140	1	piston rod	20013 001405
150	1	stud	20013 001501
160	1	disk	90711 917045
170	1	lock nut ²	90711 616024
180	3	stud	20013 001801
190	1	cylinder cover	20013 001901
200	4	cylinder screw ³	90711 012250
210	8	disk	90711 913024
220	4	nut ⁴	92711 712019
230	1	sealing	37215 017021
240	1	eye-bolt	20013 002401

¹ torque with 10Nm / ² torque with 200Nm / ^{3/4} torque with 80Nm (Mean value of the thread table)

PRODUCT - DATA SHEET

Quality Products

MADE IN GERMANY

by your famous brand

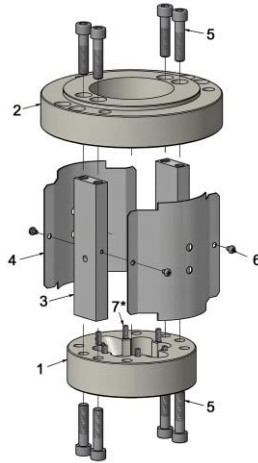
K SPRITZTECHNIK T
KOPPERSCHMID

Topic: **Kopperschmidt Classic Line**
Product: **T2001-23.340 (D300 S120-340) Piston pump**

T2001_23_340 Kolbenpumpe_PD_E_e

Stand: 08/2020

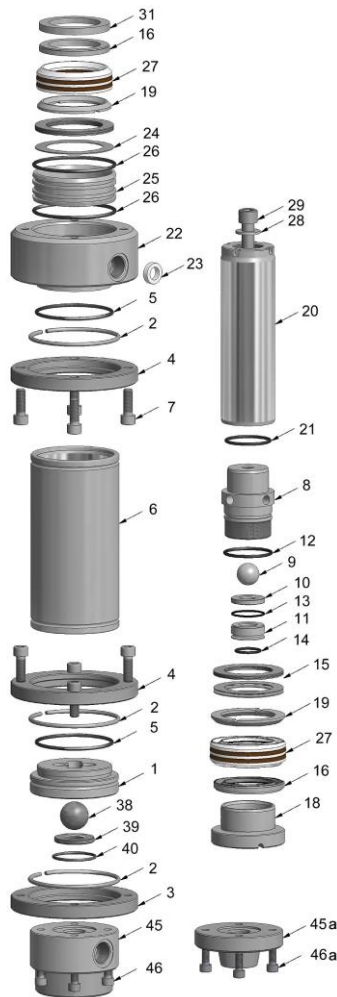
Changes are possible without notice



Coupling housing Part-No.: 20013 403001			
Pos.	Amount	Description	Part Number
1	1	flange <i>above</i>	20013 403000-1
2	1	flange <i>below</i>	20013 403000-2
3	1	spacer	20013 403000-3.1
4	1	cover plate	20013 403000-4.1
5	8	cylinder screw ¹	90711 010045
6	4	round head screw	9G711 304006
7	6	grub screw*	91712 208030

¹ torque with 45Nm (*Mean value of the thread table*)

* The grub screws are used for packing adjustment and should only be tightened by hand, to the point that material outlet avoid!



Fluid Section T2001-340 Version floor mounting Part-No.: 20013 400000-S Version wall mounting Part-No.: 20013 400000-W			
Pos.	Amount	Description	Part-No.
1	1	ball guide	20013 400101
2	3	snap ring	20013 400201
3	1	flange	20013 400301
4	2	flange	20013 400401
5#+*	2	o-ring	
6	1	cylinder	20013 400601
7	8	cylinder screw ¹	90711 010030
8	1	piston	20013 400801
9~	1	ball	
10~	1	valve seat	
11	1	bushing	20013 401101
12#+*	1	o-ring	
13#+*	1	o-ring	
14#+*	1	o-ring	
15	6	disc spring	20013 401501
16	2	gland, female	43906 618847
18	1	retainer ring	20013 401801
19	2	gland, male	42906 618847
20	1	piston skirt	20013 402001
21#+*	1	o-ring	
22	1	connector	20013 402201-1
23#+*	1	sealing ring	
24	6	disc spring	20013 402401
25	1	bushing	20013 402501
26#+*	2	o-ring	
27#	2	v-packing set PTFE	
27+	2	v-packing set PTFE/leather	
27*	2	v-packing set PTFE/Nomex	
28	1	disc	90711 915028
29	1	cylinder screw ²	90711 014170
31	1	pressure ring	20013 401301
38~	1	ball	
39~	1	valve seat	
40#+*	1	o-ring	
45	1	round flange for floor mounting	20013 404505
45a	1	round flange for wall mounting	20013 404501
46	4	cylinder screw M8x20 ³	90711 008020
46a	4	cylinder screw M8x25 ⁴	90711 008025

¹ torque with 45Nm / ² torque with 200Nm /
^{3/4} torque with 26Nm (*Mean value of the thread table*)

Available service kits for Fluid Section:

Service kit sealings PTFE **Part-No.: 20000 340610 #**
 Service kit sealings PTFE/leather **Part-No.: 20000 340614 +**
 Service kit sealings PTFE /Nomex **Part-No.: 20000 340615 ***
 Service kit valves **Part-No.: 20025 340608 ~**