

MATERIAL - DATA SHEET

Topic: High pressure filter
Product: Twin sieve PN 400 / sieve PN 500

Doppelsieb PN 400 - PN 500_MD_E

Stand: 09/2020

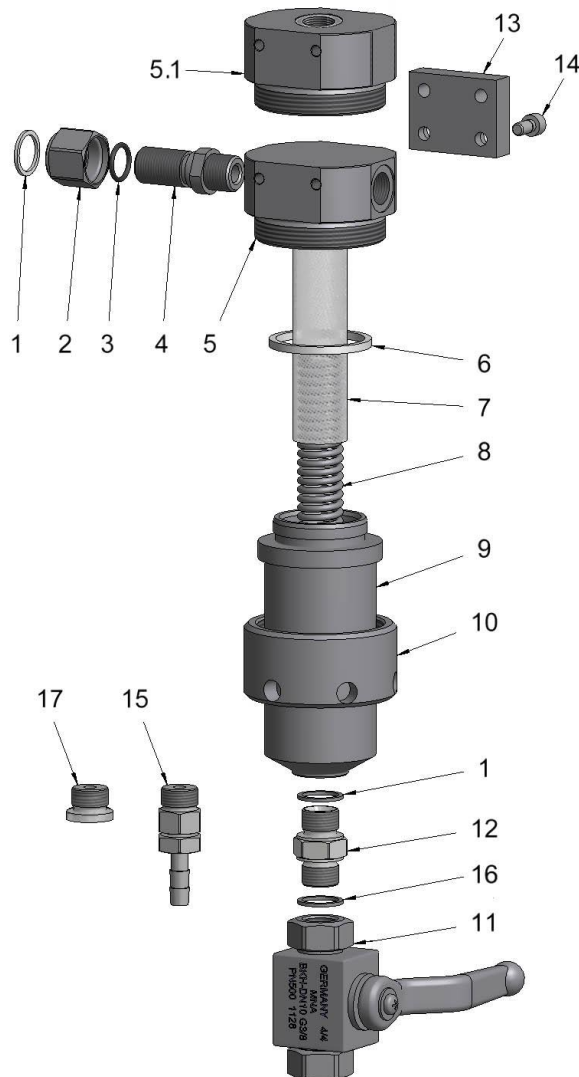
Changes are possible without notice

Quality Products

MADE IN GERMANY

by your famous brand

K SPRITZTECHNIK
KOPPERSCHMID T



Pos.	Description	Material
1	seal	Stainless Steel 1.4571
2	nut	Stainless Steel 1.4305
3	o-ring	FPM
4	fitting	Stainless Steel 1.4305
5	connector for PN 500	Stainless Steel 1.4305
5.1	connector for PN 400	Stainless Steel 1.4305
6	o-ring	PTFE
7	filter sieve	Stainless Steel
8	support spring	Stainless Spring Steel 1.4310
9	filter housing	Stainless Steel 1.4305
10	retaining ring	Stainless Steel 1.4305
11	ball valve G1/4" HP	Zinc plated steel
11	ball valve G1/4" HP	Stainless Steel 1.4571
12	nipple G1/4"- G3/8" HP	Stainless Steel 1.4571
13	wall mount bracket	St 37 Steel
14	screw	Zinc plated steel
15	draining screw	Stainless Steel 1.4305
16	seal	Stainless Steel 1.4571
17	lock screw	Stainless Steel 1.4571