

# PRODUCT - DATA SHEET

**Topic: High pressure filter**

**Product: Twin sieve PN 400**

Doppelsieb PN 400\_PD\_E

Stand: 09/2020

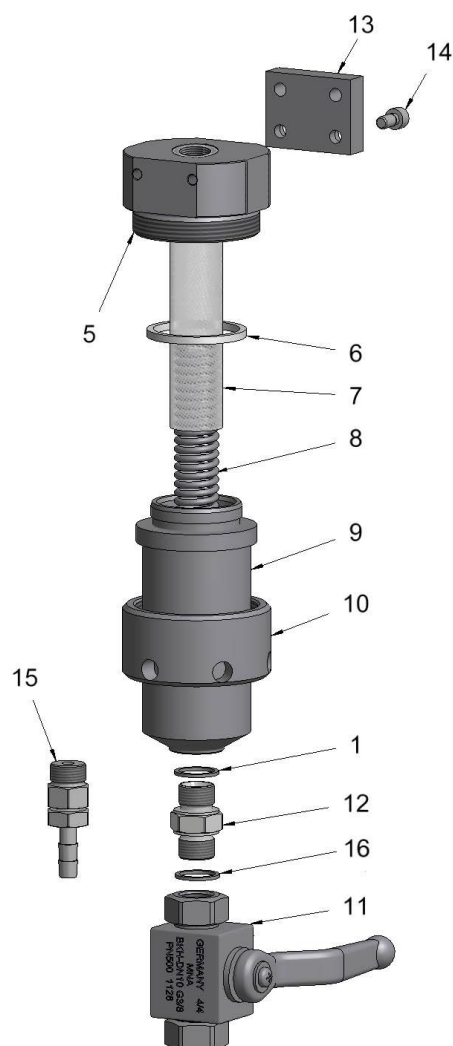
Changes are possible without notice

**Quality Products**

**MADE IN GERMANY**

by your famous brand

**K** SPRITZTECHNIK **T**  
KOPPERSCHMID



Pos.	Amount	Description	Part-No.
5	1	connector for twin filter, in=left/right, out=top	15005 900101
6	1	o-ring PTFE	39035 041353
7	1	filter sieve	See below
8	1	support spring	99272 021122
9	1	filter housing	15005 000020
10	1	retaining ring	15005 000032
11	1	ball valve G3/8" HP ST	80012 030014
11	1	ball valve G3/8" HP SS	80012 050014
12	2	nipple G1/4"- G3/8" HP	99470 011438
13	1	wall mount bracket	15005 199001
14	2	screw	90711 006012
15	1	draining screw	15005 000180
16	1	seal	38215 014018

## Filter sieves:

The sieve inserts are not included in the basic of the double sieve PN 400

When ordering please indicate the require mesh size/article number.

Sieve-No.	Mesh size/mm	Mesh Size	Part-No.
# 1	0,06	250	15921 100101
# 2	0,07	200	15921 100201
# 3	0,08	195	15921 100301
# 4	0,09	180	15921 100401
# 5	0,14	100	15921 100501
# 6	0,19	80	15921 100601
# 9	0,24	60	15921 100901
# 12	0,32	50	15921 101201
# 15	0,41	40	15921 101501
# 20	0,53	30	15921 102001