

PRODUCT - DATA SHEET

Quality Products

MADE IN GERMANY

by your famous brand

K SPRITZTECHNIK
KOPPERSCHMID T

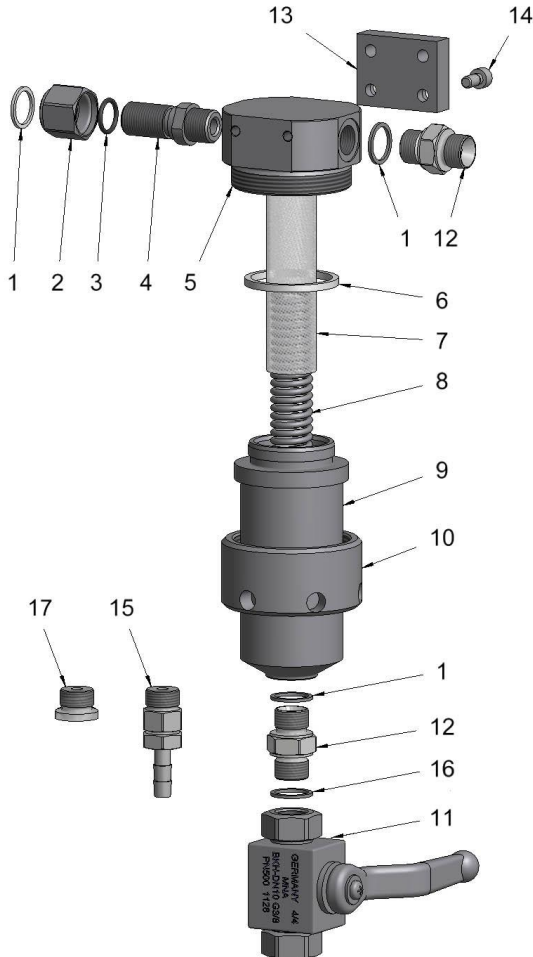
Topic: High pressure filter

Product: Filter PN 500

PN 500_PD_E

Stand: 09/2020

Changes are possible without notice



Pos.	Amount	Description	Part #
1	1	seal	38215 017021
2	1	nut	15005 000072
3	1	o-ring	32020 014200
4	1	fitting	15005 000071
5	1	connector with bore for pressure sensor	15005 100010
5	1	standard connector	15005 000010
6	1	o-ring PTFE	39035 041353
7	1	filter sieve	See below
8	1	support spring	99272 021122
9	1	filter housing	15005 000020
10	1	retaining ring	15005 000032
11	1	ball valve G1/4" HP ST	80012 030014
11	1	ball valve G1/4" HP SS	80012 050014
12	2	nipple G1/4"- G3/8" HP	99470 011438
13	1	wall mount bracket	15005 199001
14	2	screw	90711 006012
15	1	draining screw	15005 000180
16	1	seal	38215 014018
17	1	lock screw	99471 99140x

Filter sieves:

Filter sieves are not included when HP filter is sold.

Please order the required filter sieve separately.

Sieve #	Mesh size/mm	Mesh Size	Part #
# 1	0,06	250	15921 100101
# 2	0,07	200	15921 100201
# 3	0,08	195	15921 100301
# 4	0,09	180	15921 100401
# 5	0,14	100	15921 100501
# 6	0,19	80	15921 100601
# 9	0,24	60	15921 100901
# 12	0,32	50	15921 101201
# 15	0,41	40	15921 101501
# 20	0,53	30	15921 102001