

# PRODUCT - INFORMATION

**Topic:** Kopperschmidt flexible Suction Systems  
**Product:** Suction systems with suction hose

ASYS flexibel PI\_E

Stand 10/2020

Changes are possible without notice

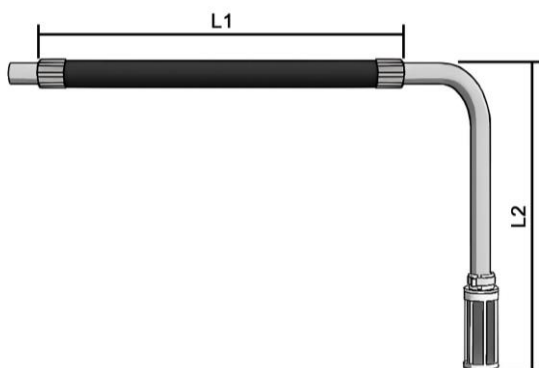
**Quality Products**

**MADE IN GERMANY**

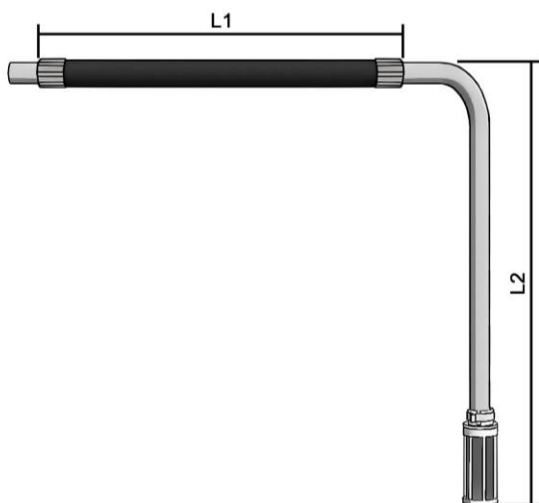
by your famous brand

**K** SPRITZTECHNIK **T**  
**KOPPERSCHMIDT**

## Suction hose with suction pipe for Hobbock container:



Hose length L1	Immersion depth L2	Ø	Part-No.
550mm	~985mm	D22	15007 430051
900mm	~500mm	D22	15007 430091
900mm	~500mm	D22	15007 462091
900mm	~500mm	D22	15007 473092
1600mm	~500mm	D22	15007 430161
3000mm	~500mm	D22	15007 430301
1000mm	~600mm	D28	15007 531101



## Suction hose with suction pipe for 200 liter barrel:

Hose length L1	Immersion depth L2	Ø	Part-No.
1600mm	~1050mm	D22	15007 430163
2000mm	~1050mm	D22	15007 430203
1600mm	~1050mm	D28	15007 531163
2800mm	~1050mm	D28	15007 531283

## Suction hose with suction pipe straight:



Hose length L1	Immersion depth L2	Ø	Part-No.
900mm	~600mm	D22	15007 440092
900mm	~600mm	D28	15007 541092