

MATERIAL - DATA SHEET

Topic: X-tended Range material pressure regulator PX
Product: Mechanical Operated Material Pressure Regulator
 Kopperschmidt PX125-RM, PX250-RM

PX125-250RM_MD_E

Stand: 02/2021

Changes are possible without notice

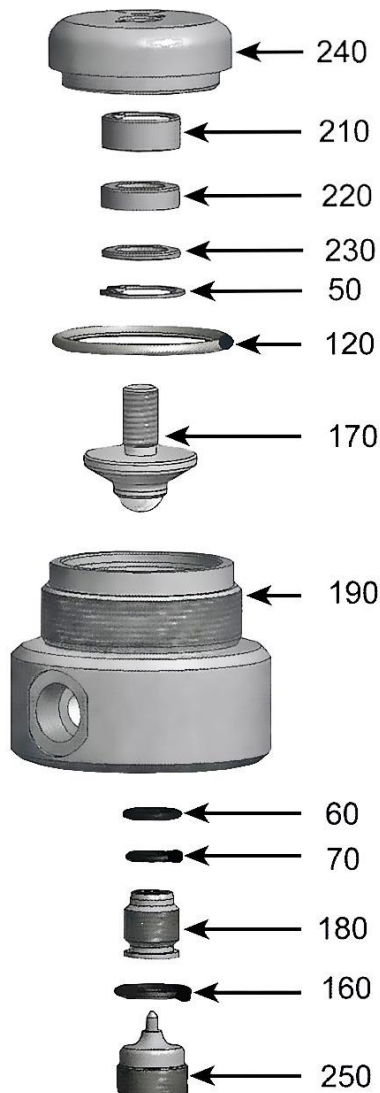
Quality Products

MADE IN GERMANY

by your famous brand

K SPRITZTECHNIK **T**
KOPPERSCHMID

Material contact parts for material pressure regulator PX125-RM / PX250-RM



Pos.	Amount	Description	Material
50	1	lock ring	Stainless Steel 1.4122
60	1	o-ring	FPM
70	1	o-ring	FPM
120	1	o-ring	PTFE
160	1	o-ring	FPM
170	1	valve tappet	Stainless Steel 1.4305 / Tungsten carbide
180	1	valve seat	Stainless Steel 1.4305 / Tungsten carbide
190	1	lower housing	Stainless Steel 1.4305
210	1	bushing	Alzen 305
220	1	groove ring	PE
230	1	disc	Stainless Steel 1.4305
240	1	housing	Stainless Steel 1.4305
250	1	locking screw	Stainless Steel 1.4305