

# MATERIAL - DATA SHEET

**Topic:** X-tended Range material pressure regulator PX  
**Product:** Mechanical Operated Material Pressure Regulator  
 Kopperschmidt PX125-VM, PX250-VM

PX125-250VM\_MD\_E

Stand: 02/2021

Changes are possible without notice

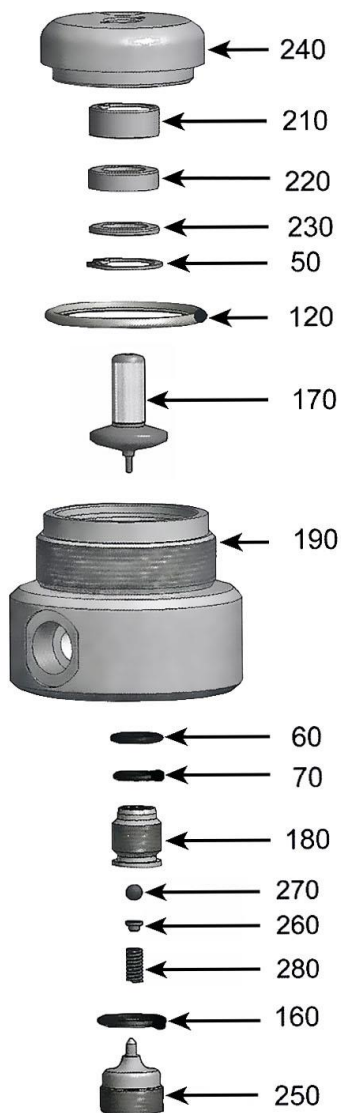
**Quality Products**

**MADE IN GERMANY**

by your famous brand

**K** SPRITZTECHNIK **T**  
**KOPPERSCHMID**

## Material contact parts for material pressure regulator PX125-VM / PX250-VM



Pos.	Amount	Description	Material
50	1	lock ring	Stainless Steel 1.4122
60	1	o-ring	FPM
70	1	o-ring	FPM
120	1	o-ring	PTFE
160	1	o-ring	FPM
170	1	valve tappet	Stainless Steel 1.4305 / Tungsten carbide
180	1	valve seat	Stainless Steel 1.4305 / Tungsten carbide
190	1	lower housing	Stainless Steel 1.4305
210	1	bushing	Alzen 305
220	1	groove ring	PE
230	1	disc	Stainless Steel 1.4305
240	1	housing	Stainless Steel 1.4305
250	1	locking screw	Stainless Steel 1.4305
260	1	ball thrust	Stainless Steel 1.4305
270	1	ball	Tungsten carbide~
280	1	spring	Spring steel 1.1200

~ Ceramic possible on request