

MATERIAL - DATA SHEET

Topic: X-tended Range Material Pressure Regulator PX
Product: Pneumatically Operated Material Pressure Regulator PX250-VP

PX250-VP_MD_E

Stand: 02/2021

Changes are possible without notice

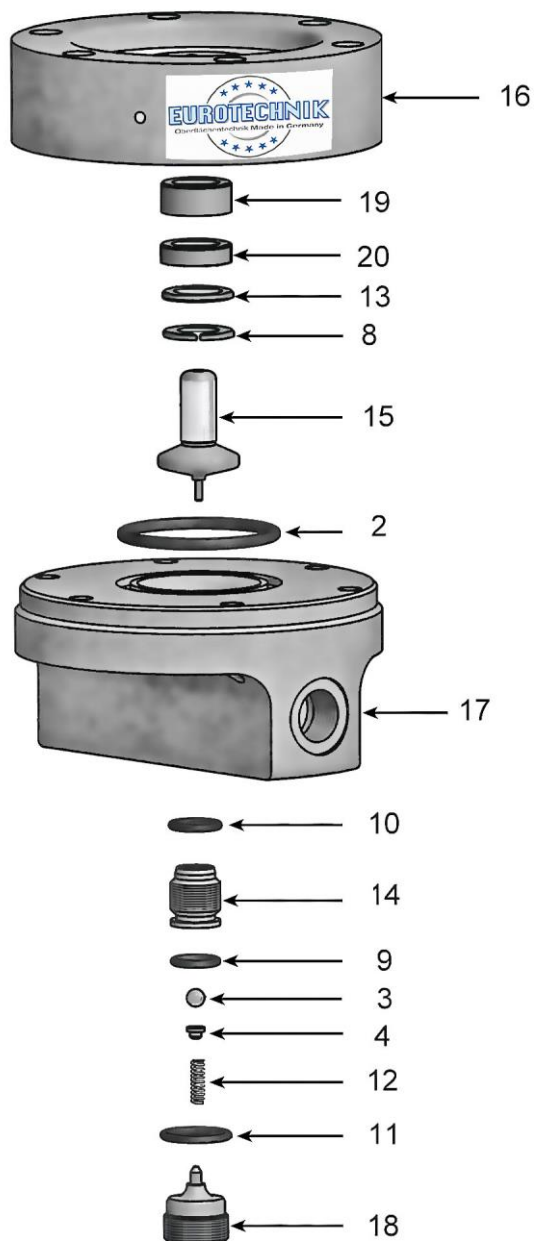
Quality Products



by your famous brand

K SPRITZTECHNIK **T**
KOPPERSCHMID

Material contact parts for material pressure regulator PX250-VP



Pos.	Amount	Description	Material
2	1	o-ring	FPM
3	1	ball	Tungsten carbide~
4	1	ball thrust	Stainless Steel 1.4305
8	1	lock ring	Stainless Steel 1.4122
9	1	o-ring	FPM
10	1	o-ring	FPM
11	1	o-ring	FPM
12	1	spring	Spring Steel 1.1200
13	1	disc	Stainless Steel 1.4305
14	1	valve seat	Stainless Steel 1.4305 / Tungsten carbide
15	1	valve tappet	Stainless Steel 1.4305 / Tungsten carbide
16	1	housing	Stainless Steel 1.4305
17	1	lower housing	Stainless Steel 1.4305
18	1	locking screw	Stainless Steel 1.4305
19	1	bushing	Alzen 305
20	1	groove ring	PE

~ Ceramic possible on request