

PRODUCT - DATA SHEET

Topic: X-tended Range Material Pressure Regulator PX
Product: Pneumatically Operated Material Pressure Regulator PX250-VP Part-No.: 15010 252000

PX250VP_PD_E_e

Stand: 02/2021

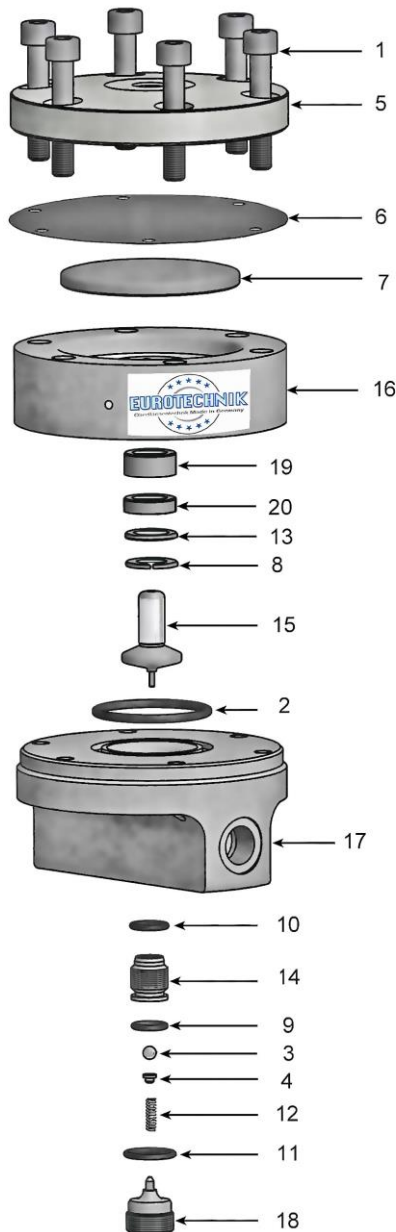
Changes are possible without notice

Quality Products



by your famous brand

K SPRITZTECHNIK **T**
KOPPERSCHMID



Pos.	Amount	Description	Part Number
1	6	cylinder screw	90711 008045
2*	1	o-ring	
3+	1	ball TC~	
4+	1	ball thrust	
5	1	lid	15010 202051
6*	1	diaphragm	
7	1	diaphragm plate	15010 202071
8+	1	lock ring	
9*	1	o-ring	
10*	1	o-ring	
11*	1	o-ring	
12+	1	spring	
13	1	disk	15010 252163
14+	1	valve seat	
15+	1	valve tappet	
16	1	packing housing	15010 202161
17	1	lower housing	15010 202171
18	1	locking screw	15010 100251
19	1	bushing	15010 252162
20*	1	groove ring	

~ Ceramic possible on request

Available service kits for material pressure regulator:

Sealing Kit includes marked * items **Part-No.: 20006 252001**

Service Kit TC wear parts includes marked + items **Part-No.: 20016 202001**

Service Kit TC includes marked * and + items **Part-No.: 20026 252001**