

PRODUCT - DATA SHEET

Topic: Kopperschmidt pump mounting
Product: Pump cart M2001-450

P-Wagen M2001-450_PD_E

Stand: 12/2020

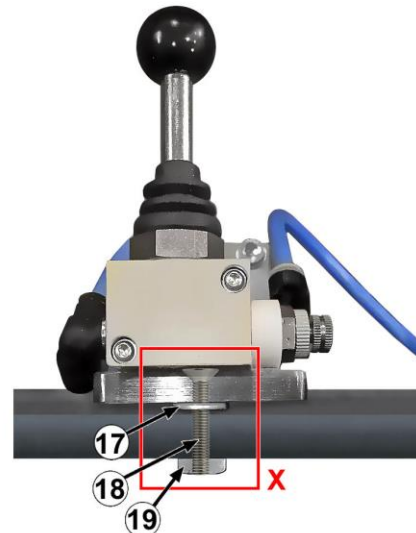
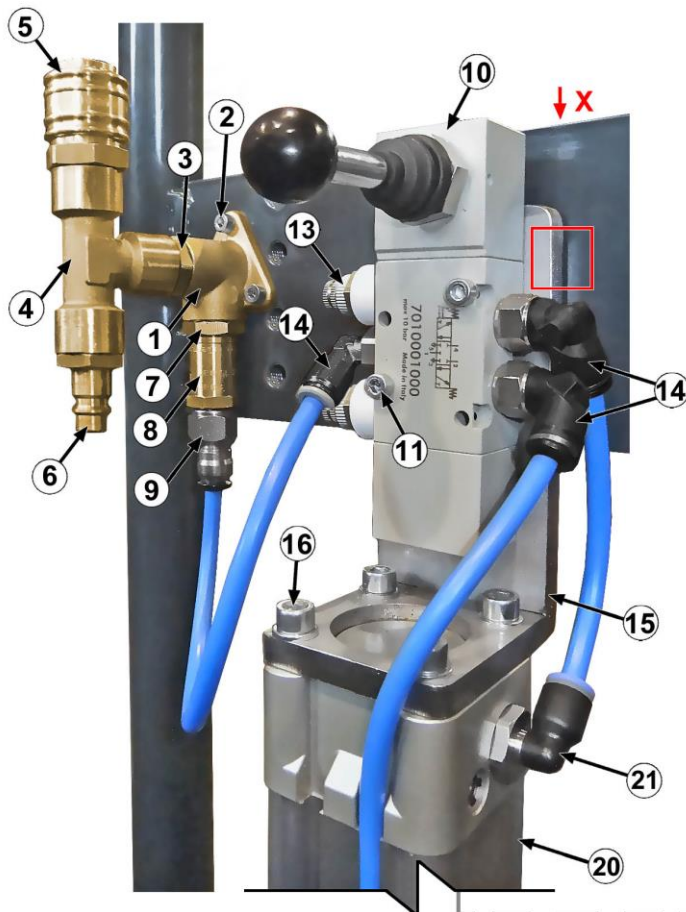
Changes are possible without notice

Quality Products

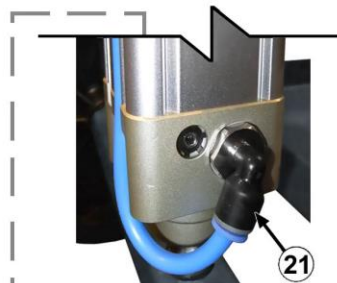
MADE IN GERMANY

by your famous brand

K SPRITZTECHNIK **T**
KOPPERSCHMIDT



i The washer pos. 17 must have an axial play of 0,5mm.
 Pos. 18 is only countered with Pos. 19



Pos.	Amount	Description	Part Number	Pos.	Amount	Description	Part Number
1	1	elbow fitting, brass	15694 112608	11	2	cylinder screw	90711 004030
2	3	cylinder screw	90711 004020	13	2	throttle silencer	99480 991411
3	1	nipple, brass	99420 013838	14	3	l-fitting	15694 108897
4	1	t-connector, brass	99421 193800	15	1	fixing bracket	29101 410000-5a
5	1	quick coupling, brass	15694 107209	16	4	cylinder screw	90711 006020
6	1	nipple, brass	15694 107239	17	1	washer	90711 908016
7	1	nipple, brass	99420 013814	18	1	countersunk screw	96711 008020
8	1	air pressure regulator	15694 101510	19	1	hexagon nut	90711 708000
9	1	air hose fitting	15694 109201	20	1	pneumatic cylinder	88000 450040
10	1	manual valve	15950 E20002-T	21	2	l-fitting	15694 108900