

# PRODUCT - OVERVIEW

**Topic: High pressure filters**

**Product: Filter PN 500**

PN 500\_E\_PÜ

Stand: 02/2021

Changes are possible without notice

**Quality Products**

**MADE IN GERMANY**

— by your famous brand —

**K** SPRITZTECHNIK **T**  
**KOPPERSCHMID**

## Filter PN 500 basic version without fittings:



Filter PN 500 basic version  
(without any fitting)  
15005 000000

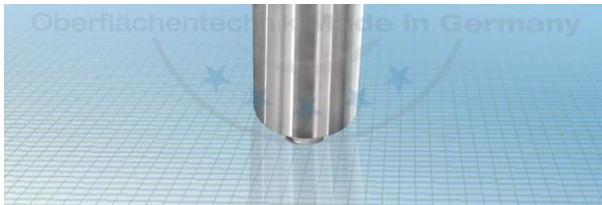


Filter PN 500 basic version  
(for pump mounting)  
15005 001000

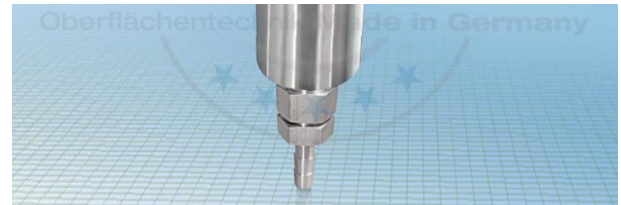


Filter PN 500 basic version  
(for wall mounting)  
15005 100000

## Filter PN 500 with lock screw:



Part-No. -VS



Part-No. -AS

## Filter PN 500 with drain ball valve SS:



Part-No. -AKHE

## Filter PN 500 with drain ball valve zinc plated steel:



Part-No. -AKHS

# PRODUCT - OVERVIEW

Quality Products

MADE IN GERMANY

by your famous brand

KOPPERTSCHMIDT

Topic: High pressure filters

Product: Filter PN 500

PN 500\_E\_PÜ

Stand: 02/2021

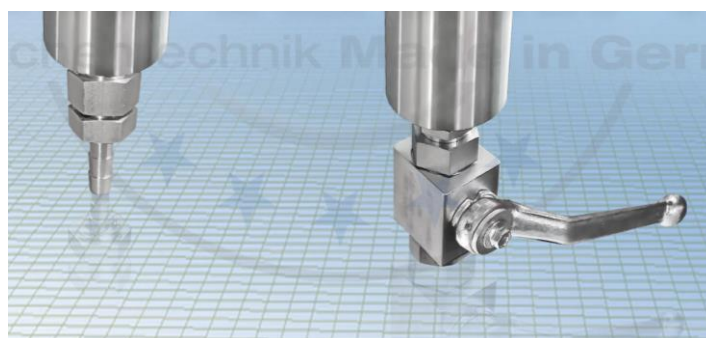
Changes are possible without notice



## High pressure filter PN 500

The function of PN 500 is to filter the material from dirt particles, which could have negative effects on the operation of the application equipment. The filter is screwed into the pump and fixed in the desired position with a lock nut. Inside the filter is the sieve.

Depending on the type of use, different filter variations with different connections and drain devices are available. In order to ensure a perfect spray pattern, make sure that the sieve insert has the correct mesh size and is cleaned regularly.



### Technical data

|                           |                        |
|---------------------------|------------------------|
| max. working pressure:    | 500 bar                |
| - under pulsating stress: | 400 bar                |
| max. working temperature: | + 120 °C               |
| Filter screen surface:    | ca. 78 cm <sup>2</sup> |

| Part-No.:         | Description:   |
|-------------------|--|
| 15005 000000      | Filter PN 500 stainless steel, basic version without connections                         |
| 15005 000000-VS   | Filter PN 500 stainless steel, basic version with lock screw                             |
| 15005 000000-AS   | Filter PN 500 stainless steel, basic version with valve screw                            |
| 15005 000000-AKHS | Filter PN 500 stainless steel, basic version with drain ball valve zinc plated steel     |
| 15005 000000-AKHE | Filter PN 500 stainless steel, basic version with drain ball valve SS                    |
| 15005 001000      | Filter PN 500 stainless steel, for pump mounting without connections                     |
| 15005 001000-VS   | Filter PN 500 stainless steel, for pump mounting with lock screw                         |
| 15005 001000-AS   | Filter PN 500 stainless steel, for pump mounting with valve screw                        |
| 15005 001000-AKHS | Filter PN 500 stainless steel, for pump mounting with drain ball valve zinc plated steel |
| 15005 001000-AKHE | Filter PN 500 stainless steel, for pump mounting with drain ball valve SS                |
| 15005 100000      | Filter PN 500 stainless steel, for wall mounting without connections                     |
| 15005 100000-VS   | Filter PN 500 stainless steel, for wall mounting without connections, lock screw         |
| 15005 100000-AS   | Filter PN 500 stainless steel, for wall mounting with valve screw                        |
| 15005 100000-AKHS | Filter PN 500 stainless steel, for wall mounting with drain ball valve zinc plated steel |
| 15005 100000-AKHE | Filter PN 500 stainless steel, for wall mounting with drain ball valve SS                |

### Sieve inserts:

| sieve #:       | #00  | #0   | #1   | #2    | #3   | #4   | #5   | #6   | #9   | #12  | #15  | #20  |
|----------------|------|------|------|-------|------|------|------|------|------|------|------|------|
| mesh size:     | ~400 | ~325 | 250  | 200   | 195  | 180  | 100  | 80   | 60   | 50   | 40   | 30   |
| mesh width mm: | 0,02 | 0,04 | 0,06 | 0,075 | 0,08 | 0,09 | 0,14 | 0,19 | 0,24 | 0,32 | 0,41 | 0,53 |

The sieve inserts are not included in the basic equipment of the PN 500 filter. When ordering, please specify the desired sieve #.