

PRODUCT - DATA SHEET

Quality Products

MADE IN GERMANY

by your famous brand

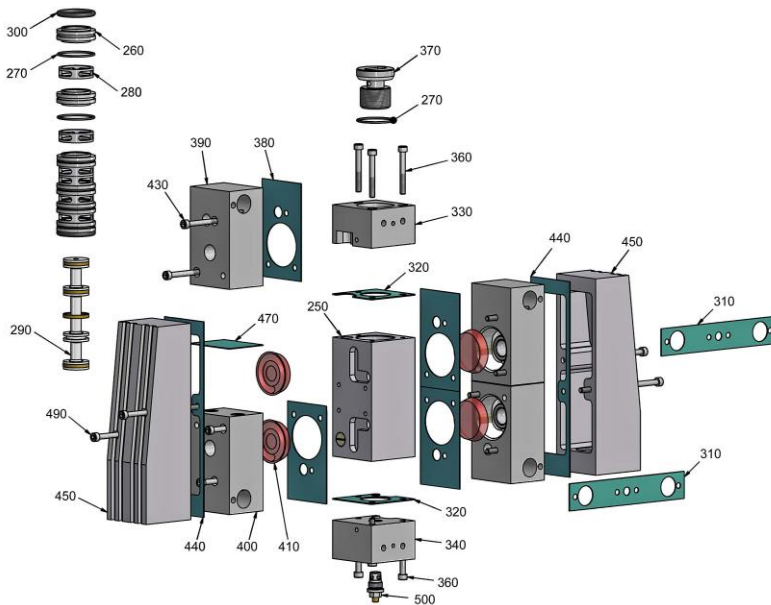
K SPRITZTECHNIK T
KOPPERSCHMIDT

Topic: **Kopperschmidt Classic Line**
Product: **T2001-33.150 (D230 S120-150) Kolbenpumpe**

T2001_33_150 Kolbenpumpe_PD_E_e

Stand: 04/2021

Changes are possible without notice

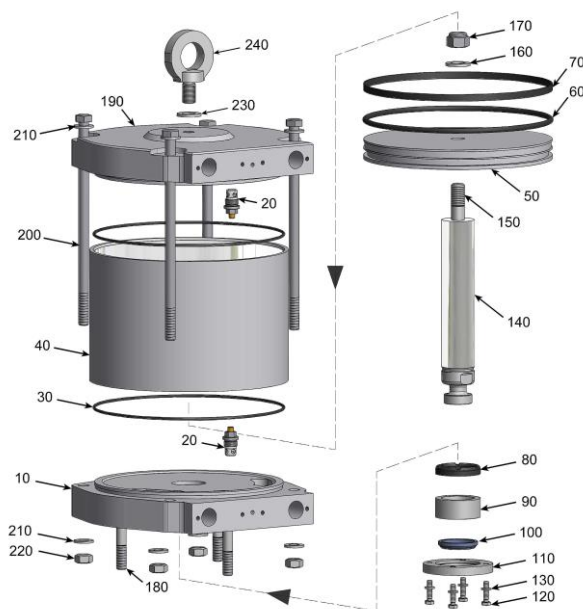


Air Control Block			
Part-No.: 2001D XXX120			
Pos.	Amount	Description	Part Number
250	1	housing	20013 002501
260	6	bush	20013 002601
270*	7	o-ring	
280	6	spacer ring	20013 002801
290	1	control piston assy	20013 002901
300*	2	o-ring	
310*	2	flat seal	
320*	2	flat seal	
330	1	connector upper	20013 003301
340	1	connector lower	20013 003401
360	6	cylinder screw ¹	90711 006050
370	1	hollow screw	20013 003701
380*	4	flat seal	
390	2	housing	20013 003901
400	2	housing	20013 004001
410	4	cup seal	33311 050000
430	8	cylinder screw ²	90711 006060
440*	2	flat seal	
450	2	outlet housing	20013 004501
470*	2	flat seal	
490	4	cylinder screw ³	90711 006120
500	1	reset button	20010 010001

Available service kit for Air Control Block:

Service kit sealings **Part-No. 20002 121608 ***

^{1/2/3} torque with 10Nm (Mean value of the thread table)



Air Motor			
Part-No.: 20012 311200			
Pos.	Amount	Description	Part Number
10	1	bottom casting D230	20012 300101
20	2	sensing valve	20010 010001
30*	2	o-ring	
40	1	cylinder	20012 300405
50	1	piston disk D230	20012 300501
60*	1	o-ring	
70*	1	guide band	
80*	1	sealing ring	
90	1	bush	20013 000901
100*	1	sealing disk	
110	1	flange	20013 001101
120	4	hex screw ¹	90711 106025
130	4	disk	90711 906012
140	1	piston rod	20013 001405
150	1	stud	20013 001501
160	1	disk	90711 917045
170	1	lock nut ²	90711 616024
180	3	stud	20013 001801
190	1	cylinder cover	20012 301901
200	4	cylinder screw ³	90711 012250
210	8	disk	90711 913024
220	4	nut ⁴	92711 712019
230	1	sealing	37215 017021
240	1	eye-bolt	20013 002401

Available service kit for Air Motor:

Service kit sealings **Part-No. 20001 230608 ***

¹ torque with 10Nm / ² torque with 200Nm / ^{3/4} torque with 80Nm (Mean value of the thread table)

PRODUCT - DATA SHEET

Quality Products

MADE IN GERMANY

by your famous brand

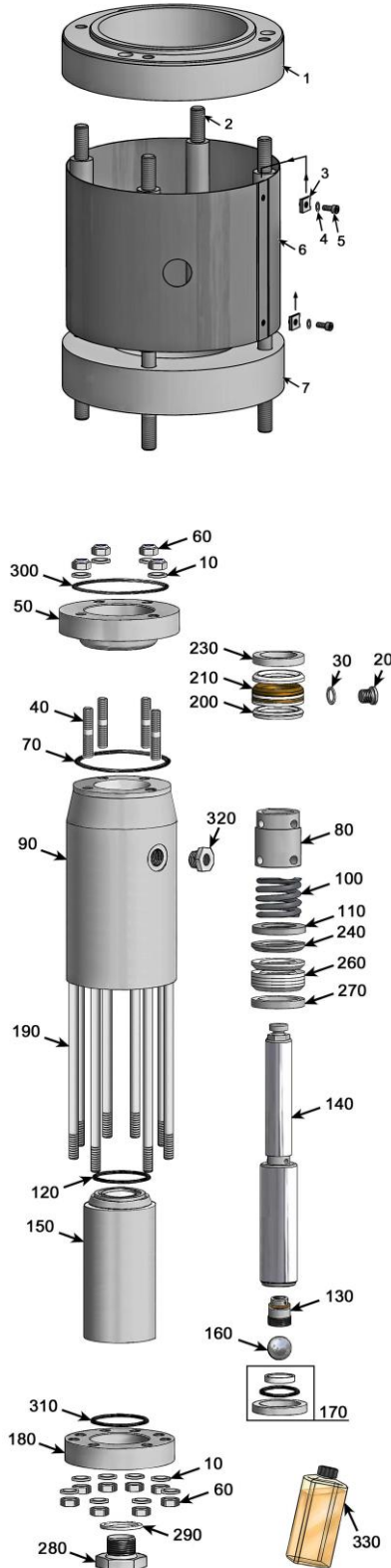
K SPRITZTECHNIK T
KOPPERSCHMID

Topic: Kopperschmidt Classic Line
Product: T2001-33.150 (D230 S120-150) Kolbenpumpe

T2001_33_150 Kolbenpumpe_PD_E_e

Stand: 04/2021

Changes are possible without notice



Coupling housing

Part-No.: 20012 209801

Pos.	Amount	Description	Part Number
1	1	round flange	20012 209840
2	4	stud	20012 203902
3	2	snap nut	90710 G04000
4	2	disc	90711 905010
5	2	cylinder screw	90711 004010
6	1	cover plate	20012 203501
7	1	round flange	20012 209810

Fluid Section T2001-150

Version PTFE Part-No.: 20011 500000

Version PTFE/leather Part-No.: 20011 500001

Pos.	Amount	Description	Part Number
10	12	lock washer	90711 812021
20	1	locking screw	93712 114010
30	1	sealing ring	36215 014018
40	4	grub screw	20011 500401
50	1	flange upper	20011 500501
60	12	hex nut	92711 712019
70*x#	1	o-ring	
80	1	bush	20011 500801
90	1	cylinder upper	20011 500901
100	1	pressure spring	99212 061088
110	1	spacer	20011 501101
120*x#	1	o-ring	
130+	1	pressure valve assy	
140	1	piston rod	20011 501401
150	1	cylinder lower	20011 501501
160+	1	ball	
170+	1	valve seat assy	
180	1	flange lower	20012 201801
190	8	thread bolt	20012 201901
200	1	female gland, upper	42914 405600
210*	1	v-packing set PTFE upper	
210x	1	v-packing set PTFE/leather	
230	1	male gland, upper	43965 410597
240	1	male gland, lower	42914 565758
260*x	1	v-packing set PTFE lower	
270	1	female gland, lower	43964 570757
280	1	material inlet M38x1.5a	20012 202801
290	1	sealing ring	35425 048055
300*x#	1	o-ring	
310*x#	1	o-ring	
320	1	reduction screw connection	99470 191038
330	1	rinsing liquid	15009 010000

Available service kits for Fluid Section:

Service kit sealings PTFE	Part-No.: 20000 150600 *
Service kit sealings PTFE/leather	Part-No.: 20000 150604 x
Service kit sealing ring	Part-No.: 20000 150608 #
Service kit valves	Part-No.: 20025 150610 +