

PRODUCT - DATA SHEET

Quality Products

MADE IN GERMANY

by your famous brand

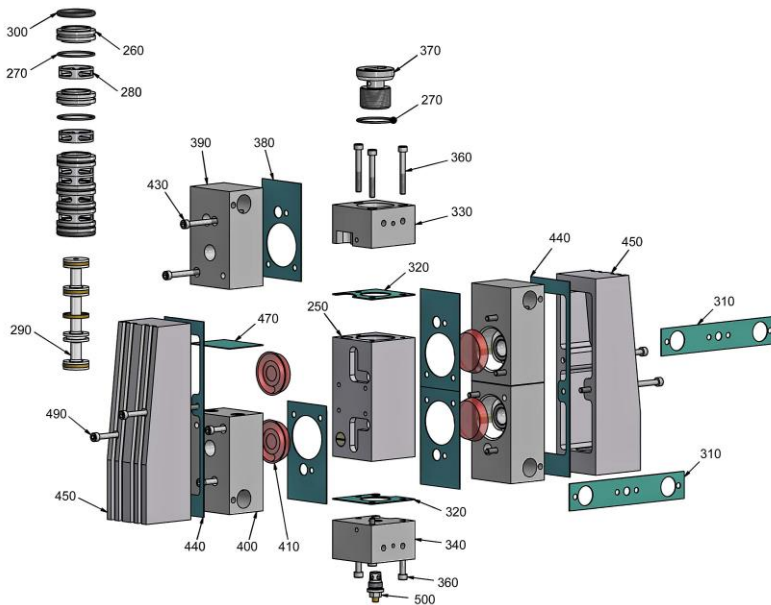
K SPRITZTECHNIK T
KOPPERSCHMIDT

Topic: **Kopperschmidt Classic Line**
Product: **T2001-38.220 (D300 S120-220) Piston pump**

T2001_38_220 Kolbenpumpe_PD_E_e

Stand: 04/2021

Changes are possible without notice



Available service kit for Air Control Block:

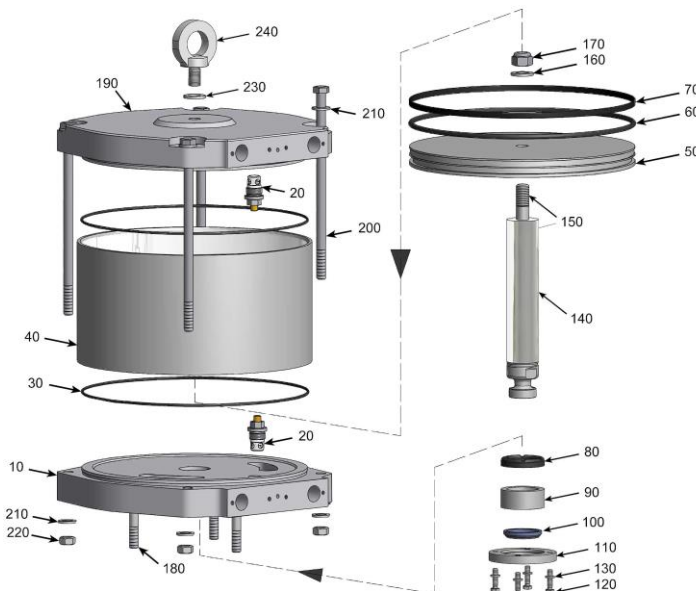
Service kit sealings **Part-No. 20002 121608 ***

| Air Control Block | | | |
|------------------------|--------|-----------------------------|--------------|
| Part-No.: 2001D XXX120 | | | |
| Pos. | Amount | Description | Part Number |
| 250 | 1 | housing | 20013 002501 |
| 260 | 6 | bush | 20013 002601 |
| 270* | 7 | o-ring | |
| 280 | 6 | spacer ring | 20013 002801 |
| 290 | 1 | control piston assy | 20013 002901 |
| 300* | 2 | o-ring | |
| 310* | 2 | flat seal | |
| 320* | 2 | flat seal | |
| 330 | 1 | connector upper | 20013 003301 |
| 340 | 1 | connector lower | 20013 003401 |
| 360 | 6 | cylinder screw ¹ | 90711 006050 |
| 370 | 1 | hollow screw | 20013 003701 |
| 380* | 4 | flat seal | |
| 390 | 2 | housing | 20013 003901 |
| 400 | 2 | housing | 20013 004001 |
| 410 | 4 | cup seal | 33311 050000 |
| 430 | 8 | cylinder screw ² | 90711 006060 |
| 440* | 2 | flat seal | |
| 450 | 2 | outlet housing | 20013 004501 |
| 470* | 2 | flat seal | |
| 490 | 4 | cylinder screw ³ | 90711 006120 |
| 500 | 1 | reset button | 20010 010001 |

^{1/2/3} torque with 10Nm (Mean value of the thread table)

| Air Motor | | | |
|------------------------|--------|-----------------------------|--------------|
| Part-No.: 20013 011200 | | | |
| Pos. | Amount | Description | Part Number |
| 10 | 1 | bottom casting | 20013 000101 |
| 20 | 2 | sensing valve | 20010 010001 |
| 30* | 2 | o-ring | |
| 40 | 1 | cylinder tube | 20013 000401 |
| 50 | 1 | piston disk | 20013 000501 |
| 60* | 1 | o-ring | |
| 70* | 1 | guide band | |
| 80* | 1 | sealing ring | |
| 90 | 1 | bush | 20013 000901 |
| 100* | 1 | sealing disk | |
| 110 | 1 | flange | 20013 001101 |
| 120 | 4 | hex screw ¹ | 90711 106025 |
| 130 | 4 | disk | 90711 906012 |
| 140 | 1 | piston rod | 20013 001405 |
| 150 | 1 | stud | 20013 001501 |
| 160 | 1 | disk | 90711 917045 |
| 170 | 1 | lock nut ² | 90711 616024 |
| 180 | 3 | stud | 20013 001801 |
| 190 | 1 | cylinder cover | 20013 001901 |
| 200 | 4 | cylinder screw ³ | 90711 012250 |
| 210 | 8 | disk | 90711 913024 |
| 220 | 4 | nut ⁴ | 92711 712019 |
| 230 | 1 | sealing | 37215 017021 |
| 240 | 1 | eye-bolt | 20013 002401 |

¹ torque with 10Nm / ² torque with 200Nm / ^{3/4} torque with 80Nm (Mean value of the thread table)



Available service kit for Air Motor:

Service kit sealings **Part-No. 20001 300608 ***

PRODUCT - DATA SHEET

Quality Products

MADE IN GERMANY

by your famous brand

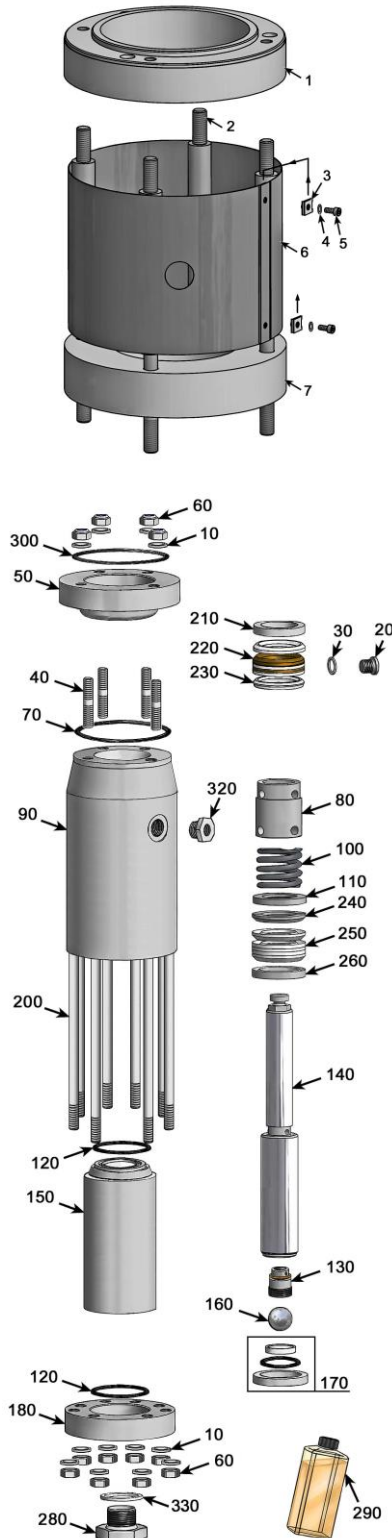
K SPRITZTECHNIK **T**
KOPPERSCHMID

Topic: Kopperschmidt Classic Line
Product: T2001-38.220 (D300 S120-220) Piston pump

T2001_38_220 Kolbenpumpe_PD_E_e

Stand: 04/2021

Changes are possible without notice



Coupling housing

Part-No.: 20012 209801

| Pos. | Amount | Description | Part Number |
|------|--------|----------------|--------------|
| 1 | 1 | round flange | 20012 209840 |
| 2 | 4 | stud | 20012 203902 |
| 3 | 2 | snap nut | 90710 G04000 |
| 4 | 2 | disc | 90711 905010 |
| 5 | 2 | cylinder screw | 90711 004010 |
| 6 | 1 | cover plate | 20012 203501 |
| 7 | 1 | round flange | 20012 209810 |

Fluid Section T2001-220

Version PTFE Part-No.: 20012 200000

Version PTFE/leather Part-No.: 20012 200001

| Pos. | Amount | Description | Part Number |
|--------|--------|----------------------------|--------------|
| 10 | 12 | lock washer | 90711 812021 |
| 20 | 1 | locking screw | 93712 114010 |
| 30 | 1 | sealing ring | 36215 014018 |
| 40 | 4 | grub screw | 20011 500401 |
| 50 | 1 | flange upper | 20012 200501 |
| 60 | 12 | hex nut | 92711 712019 |
| 70*#x | 1 | o-ring | |
| 80 | 1 | bush | 20012 200801 |
| 90 | 1 | cylinder upper | 20012 200901 |
| 100 | 1 | pressure spring | 99212 070100 |
| 110 | 1 | spacer | 20012 201101 |
| 120*#x | 2 | o-ring | |
| 130+ | 1 | pressure valve assy | |
| 140 | 1 | piston rod | 20012 201401 |
| 150 | 1 | cylinder lower | 20012 201501 |
| 160+ | 1 | ball | |
| 170+ | 1 | valve seat assy | |
| 180 | 1 | flange lower | 20012 201801 |
| 200 | 8 | thread bolt | 20012 201901 |
| 210 | 1 | female gland, upper | 43965 490679 |
| 220* | 1 | v-packing set PTFE upper | |
| 220x | 1 | v-packing set PTFE/leather | |
| 230 | 1 | male gland, upper | 42914 485679 |
| 240 | 1 | male gland, lower | 42914 685880 |
| 250*#x | 1 | v-packing set PTFE lower | |
| 260 | 1 | female gland, lower | 43965 690877 |
| 280 | 1 | material inlet M38x1.5a | 20012 202801 |
| 290 | 1 | rinsing liquid | 15009 010000 |
| 300*#x | 1 | o-ring | |
| 320 | 1 | reduction screw connection | 99470 191038 |
| 330 | 1 | sealing ring | 35425 048055 |
| | | sealing caps set | 9944X T20011 |

Available service kits for Fluid Section:

| | |
|-----------------------------------|---------------------------------|
| Service kit sealings PTFE | Part-No.: 20000 220600 * |
| Service kit sealings PTFE/leather | Part-No.: 20000 220604 x |
| Service kit sealing ring | Part-No.: 20000 220608 # |
| Service kit valves | Part-No.: 20025 220610 + |