

# PRODUCT - DIMENSION SHEET

**Topic:** Kopperschmidt high pressure pumps  
**Product:** Dimensions of the high pressure pumps  
**TAP-D200 „basic unit“ (A1)**

TAP-D200 (A1)\_Hochdruckpumpen Massblatt\_E Stand: 03/2020 Changes are possible without notice

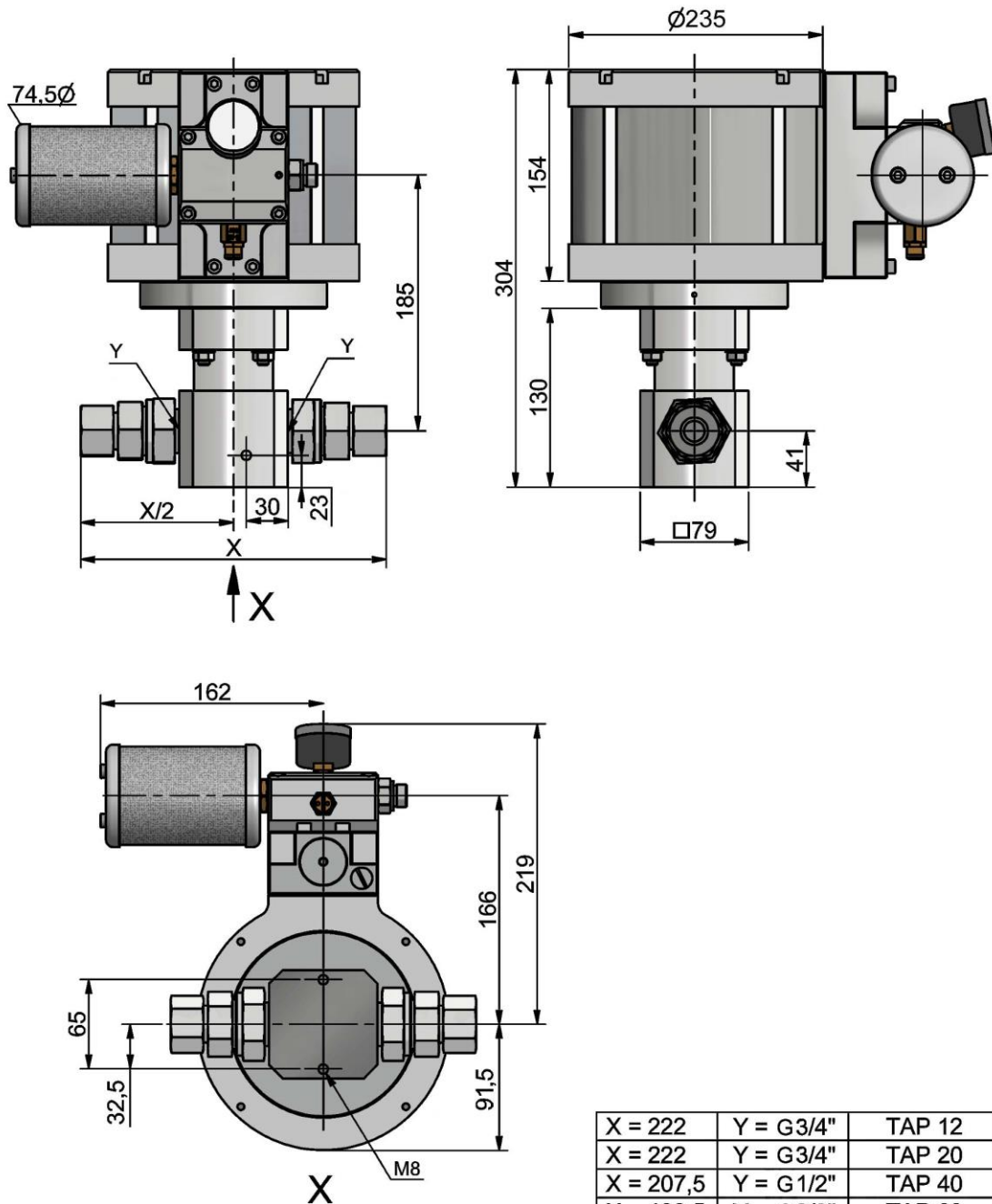
**Quality Products**



by your famous brand

**K** SPRITZTECHNIK **T**  
**KOPPERSCHMID**

## Dimensions of the high pressure pumps TAP-D200 „basic unit“ (A1)



X = 222	Y = G3/4"	TAP 12
X = 222	Y = G3/4"	TAP 20
X = 207,5	Y = G1/2"	TAP 40
X = 193,5	Y = G3/8"	TAP 60