

PRODUCT - DATA SHEET

Topic: Kopperschmidt high pressure pumps
Product: TAP12-D200 basic unit
 Part-No.: 2001P 012200

TAP12-D200_Hochdruckpumpe_Basisgerät_PD_E_e

Stand: 02/2021

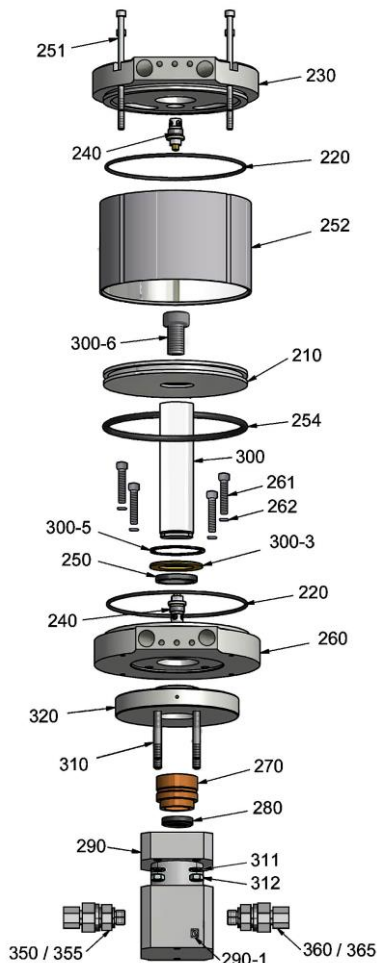
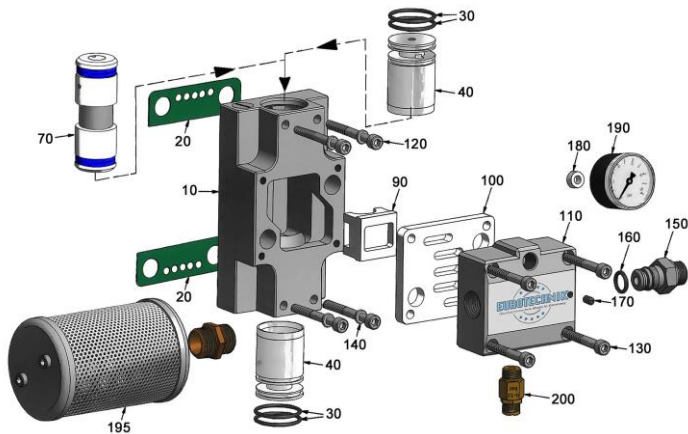
Changes are possible without notice

Quality Products

MADE IN GERMANY

by your famous brand

K SPRITZTECHNIK T
KOPPERSCHMID T



	Pos.	Amount	Description	Part Number	
Air control block	10	1	housing	20010 100101	
	20#	2	flat seal		
	30#	4	o-ring		
	40	2	bushing	20010 100401	
	70	1	control piston assy	20010 100701	
	90	1	slider	20010 100901	
	100	1	slide plate	20010 101001	
	110	1	connector	20010 101101	
	120	4	cylinder screw ¹	90711 006055	
	130	4	cylinder screw ²	90711 006045	
	140	4	disc	90711 906012	
	150	1	connector	20010 101501	
	160#	1	o-ring		
	170	1	grub screw	91711 205010	
	180#	1	sealing		
	190	1	air pressure gauge	82050 010141	
	195	1	silencer	15003 012004	
	200	1	safety valve	15952 0112085	
	Air motor	210	1	disc piston	20012 007601
		220#	2	o-ring	
230		1	cylinder lid	20012 007101	
240		2	sensing valve	20010 010001	
250#		1	groove ring		
251		4	cylinder screw ³	90711 008140	
252		1	cylinder	20012 007201	
254#		1	o-ring		
Fluid section	260	1	cylinder ground	2001P 012260-200	
	261	4	cylinder screw ³	90711 008035	
	262	4	screw head seal	32B00 008001	
	270	1	bushing	2001P 012270	
	280~	1	groove ring		
	290	1	housing	2001P 012290	
	290-1	1	ground terminal	20010 010002	
	300	1	plunger	2001P 012300	
	300-3	1	disc	2001P 012300-3	
	300-5	1	retaining ring	90810 472056	
	300-6	1	cylinder screw	9E710 016030	
	310	4	setscrew	2001P 0xx310	
	311	4	disc	90711 908016	
	312	4	hex nut	90711 708000	
	320	1	connection flange	2001P 012320	
	350	1	check valve IN, Stvz	2001P 020350	
	355	1	check valve IN, VA	2001P 020355	
360	1	check valve OUT, Stvz	2001P 020360		
365	1	check valve OUT, VA	2001P 020365		

^{1/2} torque with 10Nm (Mean value of the thread table)

^{3/4} torque with 26Nm (Mean value of the thread table)

Available service kits for high pressure pump TAP12:

Service kit sealings # for drive:

Part.-Nr.: 20001 01288D-200

Service kit sealings ~ for fluid section:

Part.-Nr.: 20000 01288D