

PRODUCT - DATA SHEET

Topic: Kopperschmidt high pressure pumps
Product: TAP60-D200 basic unit
 Part-No.: 2001P 060200

TAP60-D200_Hochdruckpumpe Basisgerät_PD_E_e

Stand: 02/2021

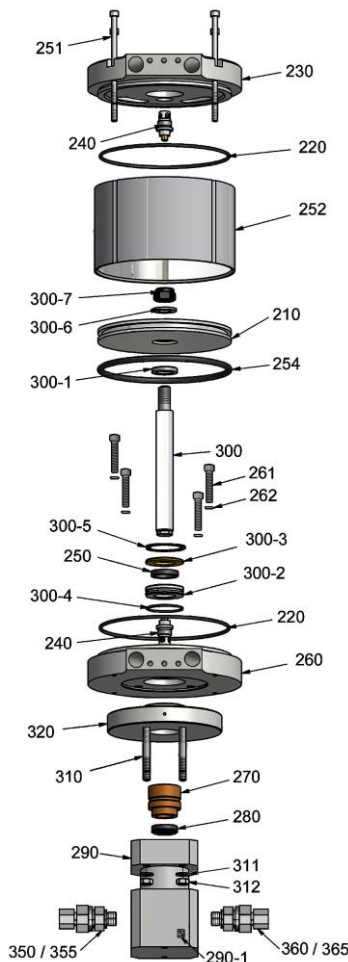
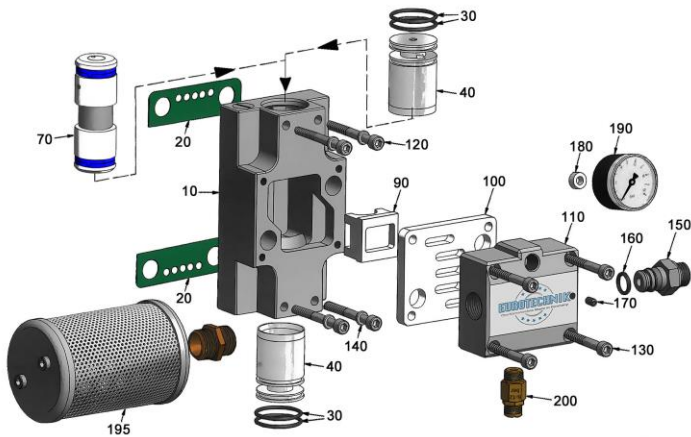
Changes are possible without notice

Quality Products



by your famous brand

K SPRITZTECHNIK **T**
KOPPERSCHMIDT



	Pos.	Amount	Description	Part Number
Air control block	10	1	housing	20010 100101
	20#	2	flat seal	
	30#	4	o-ring	
	40	2	bushing	20010 100401
	70	1	control piston assy	20010 100701
	90	1	slider	20010 100901
	100	1	slide plate	20010 101001
	110	1	connector	20010 101101
	120	4	cylinder screw ¹	90711 006055
	130	4	cylinder screw ²	90711 006045
	140	4	disc	90711 906012
	150	1	connector	20010 101501
	160#	1	o-ring	
	170	1	grub screw	91711 205010
	180#	1	sealing	
	190	1	air pressure gauge	82050 010141
	195	1	silencer	15003 012004
200	1	safety valve	15952 011207	
Air motor	210	1	disc piston	20012 007601
	220#	2	o-ring	
	230	1	cylinder lid	20012 007101
	240	2	sensing valve	20010 010001
	250#	1	groove ring	
	251	4	cylinder screw ³	90711 008035
	252	1	cylinder	20012 007201
	254#	1	o-ring	
	260	1	cylinder ground	20012 007301-TAP
	261	4	cylinder screw ⁴	90711 008140
262	4	screw head seal	32B00 008001	
Fluid section	270	1	bushing	2001P 060270
	280~	1	groove ring	
	290	1	housing	2001P 060290
	290-1	1	ground terminal	20010 010002
	300	1	plunger	2001P 060300
	300-1	1	centering disc	2001P 060300-1
	300-2	1	connection bushing	2001P 060300-2
	300-3	1	disc	2001P 060300-3
	300-4~	1	o-ring	
	300-5	1	retaining ring	90810 472045
	300-6	1	washer	90711 915028
	300-7	1	locking nut	90711 614022
	310	4	setscrew	2001P 0xx310
	311	4	disc	90711 908016
	312	4	hex nut	90711 708000
	320	1	connection flange	2001P 060320
	350	1	check valve IN, Stvz	2001P 060350
	355	1	check valve IN, VA	2001P 060355-600
	360	1	check valve OUT, Stvz	2001P 060360
365	1	check valve OUT, VA	2001P 060365-600	

^{1/2} torque with 10Nm (Mean value of the thread table)

^{3/4} torque with 26Nm (Mean value of the thread table)

Available service kits for high pressure pump TAP60:

Service kit sealings # for drive: **Part-No.: 20001 06088D-200**

Service kit sealings ~ for fluid section: **Part-No.: 20000 06088D**