

PRODUCT - DATA SHEET

Topic: Double diaphragm pump 1“, gear ratio 1:1

Product: KS11200 Part-No.: 11200 000000

KS11200_PD_E_e

Stand: 05/2021

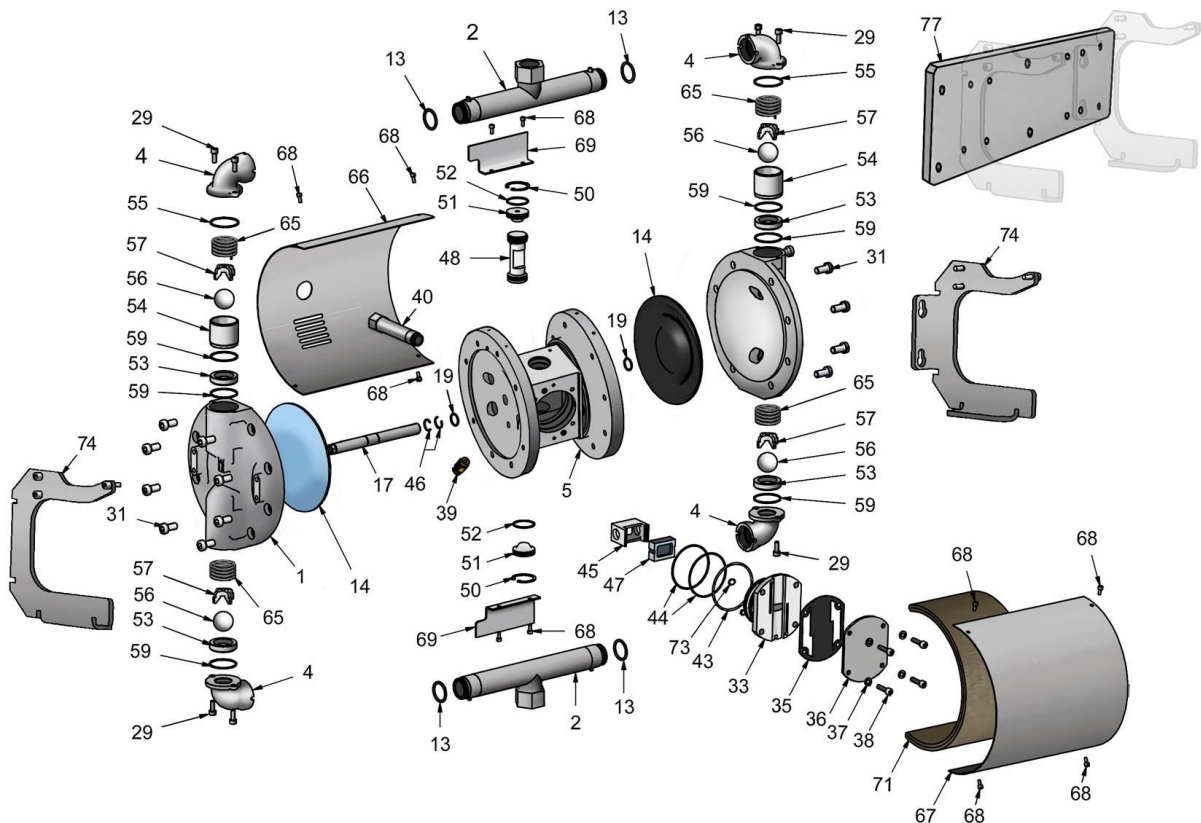
Changes are possible without notice

Quality Products



by your famous brand

**K SPRITZTECHNIK
KOPPERSCHMID T**



Available service kits for pneumatic diaphragm:

The service kit **wear parts control** include items marked °:

Part-No.: 20022 112970

The service kit **valves** include items marked *:

Part-No.: 20025 175850

The service kit **diaphragm** include items marked x:

Part-No.: 20040 112970

The service kit **sealings** include items marked ~:

Part-No.: 20028 112970

Repair kit complete, consisting of: °, *, x, # and ~:

Part-No.: 2000F 112970

Pos.	Amount	Description	Part Number	Pos.	Amount	Description	Part Number
1	2	lid	13175 010001	47°	1	flat slider	
2	2	T-connector	11200 120001	48°	1	driver rod assy	
4	4	elbow	13175 040001	50~	2	retaining ring	
5	1	pump body assy	11200 050001	51	2	sealing plug	13175 510001
13x~	4	o-ring		52~	2	o-ring	
14x	2	diaphragm		53*	4	valve seat	
17	1	diaphragm rod	11200 170001	54	2	bushing	11200 540001
19~	2	o-ring		55~	2	sealing ring	
29	8	cylinder screw	90711 006016	56*	4	ball	
31	16	cylinder screw ¹	9K711 010020	57*	4	ball guide	
33°	1	sliding seat		59~	6	sealing ring	
35~	1	flat seal		65*	4	spring	
36	1	lid	13175 360001	66	1	cover panel	11200 660001
37	4	disc	90711 906012	67	1	cover panel	11200 670001
38	4	cylinder screw	90711 006025	68	12	cylinder screw	90711 004010
39	1	safety valve	15952 011208	69	2	mounting bracket	11200 720001
40	1	air connector	13175 400001	71	1	silencer	11200 710001
43~	1	o-ring		73~	2	o-ring	
44~	2	o-ring		74	1	mounting kit for lid mounting	<i>included</i>
45	1	carriage driver	11200 450001	77	1	wall mounting plate ²	13175 730001-3
46~	2	retaining ring					

¹ tighten with 40Nm ² optional accessories