

PRODUCT - DATA SHEET

Quality Products

MADE IN GERMANY

by your famous brand

K SPRITZTECHNIK
KOPPERSCHMID T

Topic: Double diaphragm pump 1", gear ratio 1:1

Product: KS1200 Part-No.: 11200 000000

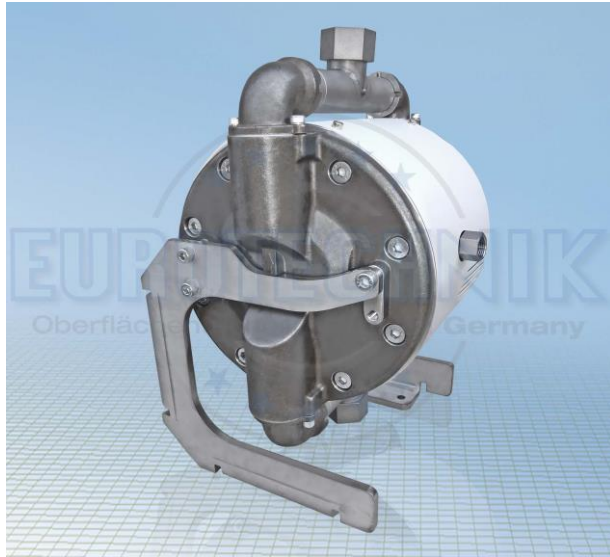
KS11200_PÜ_E

Stand: 05/2021

Changes are possible without notice

The Kopperschmidt 1:1 double diaphragm pump KS11200

Technical Data



Gear ratio:	1:1
Volume per cycle (double stroke):	400 cm ³
Working pressure max.:	8 bar
Stroke frequency max. (short time):	200 DS/min.
Stroke frequency max. (permanent):	125 DS/min.
Transfer max.:	80 l/min.
Air inlet pressure min.:	0,7 bar
Air inlet pressure max. (permissible):	8 bar
Suction height (pump empty):	2,5 mWS
Suction height (pump filled):	6,5 mWS
Air inlet pressure min.:	0,5 bar to 1,5 bar
Ambient temperature min.:	+5 °C
Ambient temperature max.:	+40 °C
Medium temperature min.:	+10 °C
Medium temperature max.:	+70 °C
Viscosity range:	10 to 750mm ² /s(cSt)
Pump weight:	~ 25 kg
Pump weight with brackets:	~ 30 kg
Pump weight with brackets and wall mounting plate:	~ 32 kg
Sound pressure level max.*:	82 dB(A)
Air connection:	G1/2"
Material outlet:	G1"
Material inlet:	G1"

* measured at 1m distance

The KS11200 is a ruggedly constructed double diaphragm pump designed for material transfer and spraying applications.

KS11200 / Gear ratio 1:1 / Part-No.: 11200 000000 (with ATEX)

It is variable in use and due to stainless steel in the material area and in combination with the PTFE coated diaphragm it offers many advantages:

- **No special preparation of the compressed air necessary**
- **Low noise without external sound absorption**
- **Low-wear flat slider control**
- **Heavy-duty composite diaphragm coated with PTFE on the material side**
- **Easy to rinse**
- **Can be used in potentially explosive areas due to the all-metal construction**
- **Spring-loaded ball valves easily accessible from the outside**
- **Easy-care construction, modern industrial design**

All these advantages combined with a wide variety of accessories make the KS11200 to a universally usable tool for material pressures up to 8 bar and transfer volumes up to 80 l/min.