

# PRODUCT - DATA SHEET

**Topic:** Double diaphragm pump 1“, gear ratio 3:1

**Product:** KS13175 Part-No.: 13175 000000

KS13175\_PD\_E\_e

Stand: 05/2021

Changes are possible without notice

**Quality Products**

**MADE IN GERMANY**

by your famous brand

**K SPRITZTECHNIK  
KOPPERSCHMID T**

## Available service kits for pneumatic diaphragm:

The service kit **wear parts control** include items marked °:

**Part-No. 20022 112970**

The service kit **valves** include items marked \*:

**Part-No. 20025 175850**

The service kit **diaphragm** include items marked x:

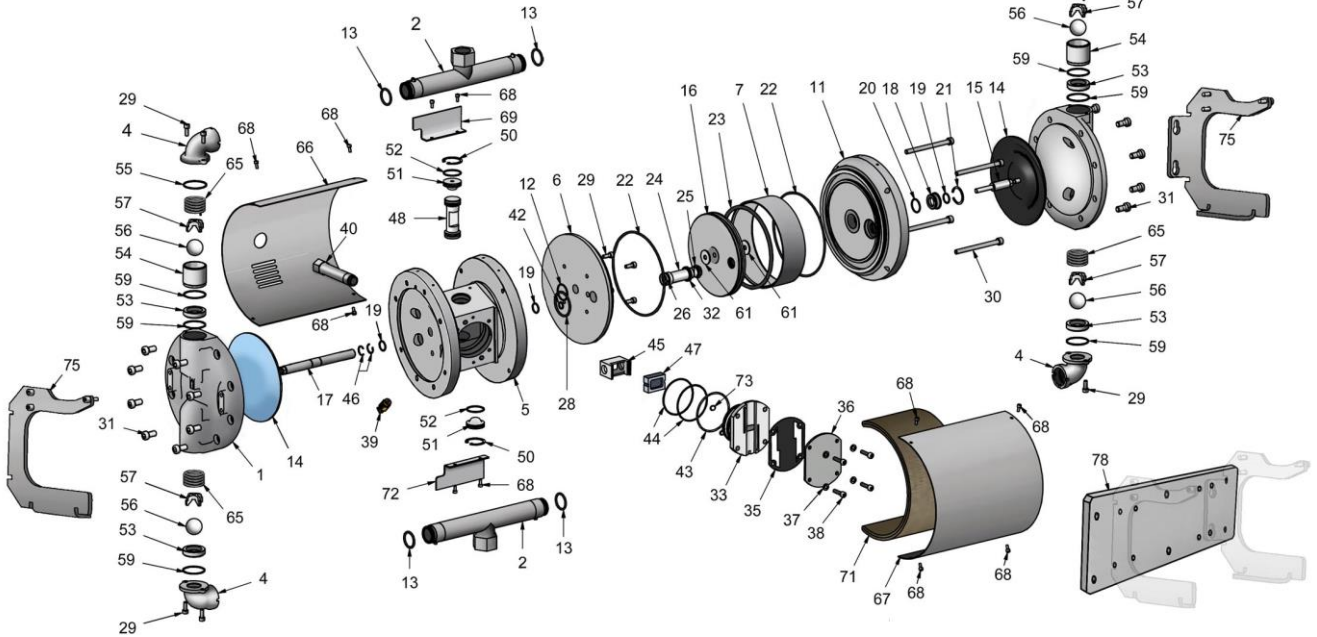
**Part-No. 20040 141850**

The service kit **sealings** include items marked ~:

**Part-No. 20028 131970**

**Repair kit complete**, consisting of: °, \*, x, # and ~:

**Part-No. 2000F 131970**



Pos.	Amount	Description	Part Number	Pos.	Amount	Description	Part Number
1	2	lid	13175 010001	37	4	disc	90711 906012
2	2	T-connector	13175 020001	38	4	cylinder screw	90711 006025
4	4	elbow	13175 040001	39	1	safety valve	15952 010706
5	1	pump body assy	13175 050001	40	1	air connector	13175 400001
6	1	cylinder base	13175 060001	42~	1	o-ring	
7	1	pneumatic cylinder	13175 070001	43~	1	o-ring	
11	1	cylinder cover	13175 110001	44~	2	o-ring	
12~	4	o-ring		45	1	carriage driver	11200 450001
13x~	4	o-ring		46~	2	retaining ring	
14x	2	diaphragm		47°	1	flat slider	
15	1	rod	13175 150001	48°	1	driver rod assy	
16	1	disc piston	13175 160001	50~	2	retaining ring	
17	1	diaphragm rod	13175 170001-1	51	2	sealing plug	13175 510001
18	1	bearing	13175 180001	52~	2	o-ring	
19~	3	o-ring		53*	4	valve seat	
20~	1	o-ring		54	2	bushing	11200 540001
21~	1	retaining ring		55~	2	sealing ring	
22~	2	o-ring		56*	4	ball	
23~	1	o-ring		57*	4	ball guide	
24	1	pipe	13175 240001	59~	6	sealing ring	
25~	1	o-ring		61	2	disc	13175 610001
26~	1	guide strip		65*	4	spring	
28~	1	o-ring		66	1	cover panel	13175 660001
29	12	cylinder screw	90711 006016	67	1	cover panel	13175 670001
30	4	cylinder screw <sup>1</sup>	90711 008100	68	12	cylinder screw	90711 004010
31	16	cylinder screw <sup>2</sup>	9K711 010020	69	1	mounting bracket	13175 720002
32~	1	x-ring		71	1	silencer	13175 710001
33°	1	sliding seat		72	1	mounting bracket	13175 720001
35~	1	flat seal		73~	2	o-ring	
36	1	lid	13175 360001	75	1	mounting kit for lid mounting	<i>included</i>
				78	1	wall mounting plate <sup>3</sup>	13175 730001-3

<sup>1</sup> tighten with 25Nm <sup>2</sup> tighten with 40Nm <sup>3</sup> optional accessories