

# PRODUCT - DATA SHEET

**Topic:** Double diaphragm pump 1“, gear ratio 4:1

**Product:** KS14175 Part-No.: 14175 000000

KS14175\_PD\_E\_e

Stand: 05/2021

Changes are possible without notice

**Quality Products**

**MADE IN GERMANY**

by your famous brand

**KSPRITZTECHNIK  
KOPPERSCHMIDT**

## Available service kits for pneumatic diaphragm:

The service kit **wear parts control** include items marked °:

**Part-No. 20022 112970**

The service kit **valves** include items marked \*:

**Part-No. 20025 175850**

The service kit **diaphragm** include items marked x:

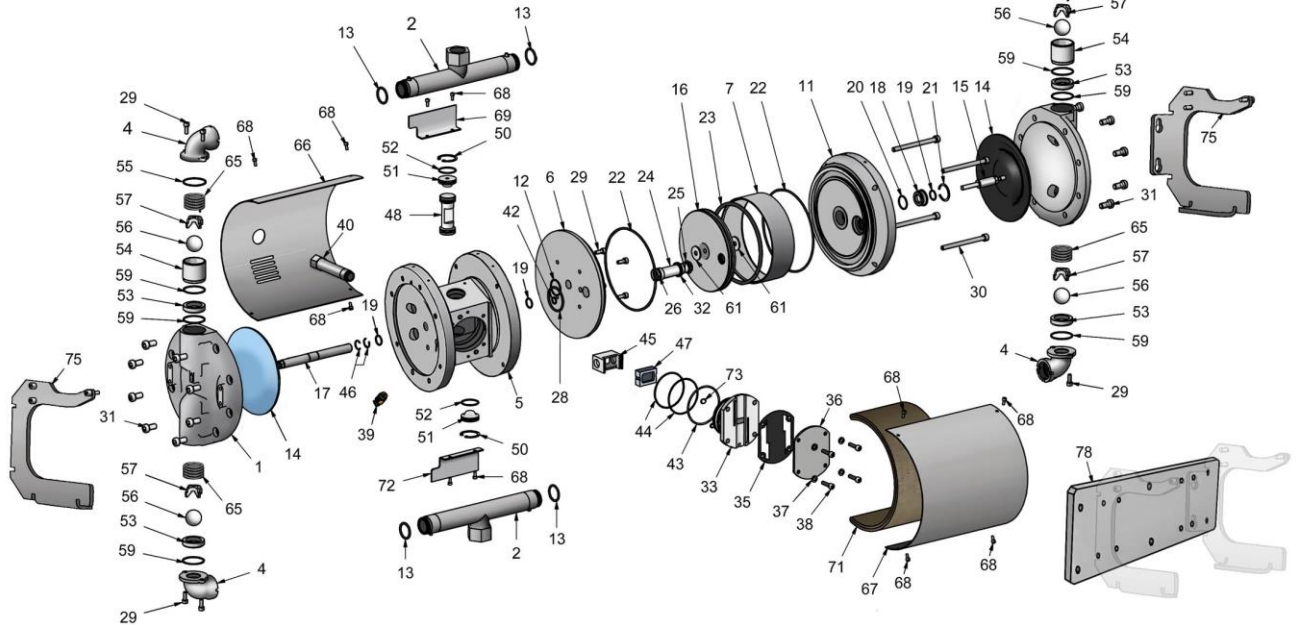
**Part-No. 20040 141850**

The service kit **sealings** include items marked ~:

**Part-No. 20028 141970**

**Repair kit complete**, consisting of: °, \*, x, # and ~:

**Part-No. 2000F 141970**



| Pos. | Amount | Description                 | Part Number    | Pos. | Amount | Description                      | Part Number     |
|------|--------|-----------------------------|----------------|------|--------|----------------------------------|-----------------|
| 1    | 2      | lid                         | 13175 010001   | 37   | 4      | disc                             | 90711 906012    |
| 2    | 2      | T-connector                 | 13175 020001   | 38   | 4      | cylinder screw                   | 90711 006025    |
| 4    | 4      | elbow                       | 13175 040001   | 39   | 1      | safety valve                     | 15952 010705    |
| 5    | 1      | pump body assy              | 13175 050001   | 40   | 1      | air connector                    | 13175 400001    |
| 6    | 1      | cylinder base               | 13175 060001   | 42~  | 1      | o-ring                           |                 |
| 7    | 1      | pneumatic cylinder          | 14175 070001   | 43~  | 1      | o-ring                           |                 |
| 11   | 1      | cylinder cover              | 13175 110001   | 44~  | 2      | o-ring                           |                 |
| 12~  | 4      | o-ring                      |                | 45   | 1      | carriage driver                  | 11200 450001    |
| 13x~ | 4      | o-ring                      |                | 46~  | 2      | retaining ring                   |                 |
| 14x  | 2      | diaphragm                   |                | 47°  | 1      | flat slider                      |                 |
| 15   | 1      | rod                         | 13175 150001   | 48°  | 1      | driver rod assy                  |                 |
| 16   | 1      | disc piston                 | 14175 160001   | 50~  | 2      | retaining ring                   |                 |
| 17   | 1      | diaphragm rod               | 13175 170001-1 | 51   | 2      | sealing plug                     | 13175 510001    |
| 18   | 1      | bearing                     | 13175 180001   | 52~  | 2      | o-ring                           |                 |
| 19~  | 3      | o-ring                      |                | 53*  | 4      | valve seat                       |                 |
| 20~  | 1      | o-ring                      |                | 54   | 2      | bushing                          | 11200 540001    |
| 21~  | 1      | retaining ring              |                | 55~  | 2      | sealing ring                     |                 |
| 22~  | 2      | o-ring                      |                | 56*  | 4      | ball                             |                 |
| 23~  | 1      | o-ring                      |                | 57*  | 4      | ball guide                       |                 |
| 24   | 1      | pipe                        | 13175 240001   | 59~  | 6      | sealing ring                     |                 |
| 25~  | 1      | o-ring                      |                | 61   | 2      | disc                             | 13175 610001    |
| 26~  | 1      | guide strip                 |                | 65*  | 4      | spring                           |                 |
| 28~  | 1      | o-ring                      |                | 66   | 1      | cover panel                      | 13175 660001    |
| 29   | 12     | cylinder screw              | 90711 006016   | 67   | 1      | cover panel                      | 13175 670001    |
| 30   | 4      | cylinder screw <sup>1</sup> | 90711 008100   | 68   | 12     | cylinder screw                   | 90711 004010    |
| 31   | 16     | cylinder screw <sup>2</sup> | 9K711 010020   | 69   | 1      | mounting bracket                 | 13175 720001    |
| 32~  | 1      | x-ring                      |                | 71   | 1      | silencer                         | 13175 710001    |
| 33°  | 1      | sliding seat                |                | 72   | 1      | mounting bracket                 | 13175 720002    |
| 35~  | 1      | flat seal                   |                | 73~  | 2      | o-ring                           |                 |
| 36   | 1      | lid                         | 13175 360001   | 75   | 1      | mounting kit for lid mounting    | <i>included</i> |
|      |        |                             |                | 78   | 1      | wall mounting plate <sup>3</sup> | 13175 730001-3  |

<sup>1</sup> tighten with 25Nm    <sup>2</sup> tighten with 40Nm    <sup>3</sup> optional accessories