

PRODUCT – DATA SHEET

Topic: Airless Spray Gun
Product: Kopperschmidt AKA 401 FDA approved

Part.-No.: 15008 000011-FDA / 15008 000012-FDA /
 15008 000013-FDA

KS-AKA 401_FDA_PD_E_e

Stand: 12/2021

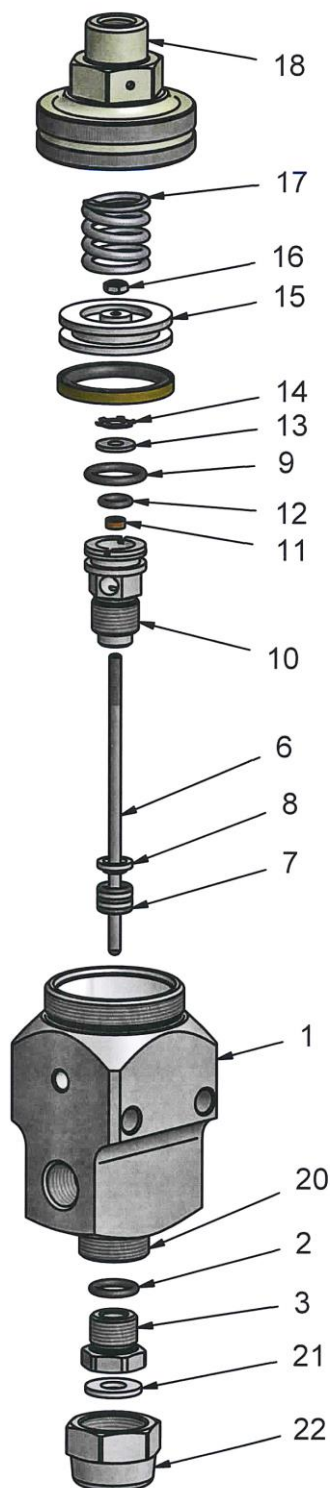
Changes are possible without notice

Quality Products



by your famous brand

K SPRITZTECHNIK **T**
KOPPERSCHMID



Pos.	Amount	Description	Part-No.
1	1	gun body	15008 004002
2*	1	o-ring	
3+	1	valve seat	
6+	1	valve needle	
7*	3	o-ring	
8*	3	seal	
9*	1	o-ring	
10	1	packing nut	15008 010001
11*	1	sealing ring	
12*	1	o-ring	
13	1	washer	15001 013001
14*	1	lock ring	
15+	1	disc piston assy	
16	1	hex nut	90711 703000
17	1	spring 200 bar	99210 012025
17	1	spring 400 bar	99210 012023
18	1	cap	15008 008001
20	1	thread insert	15008 002001
21	1	seal	15000 034001
22	1	retaining ring	15000 033001
22	1	retaining ring long	15000 033002

Available service kits for Airless Gun AKA 401:

The **Sealing Kit** includes marked * items

Part-No.: 20007 201118-FDA

The **Service Kit wear parts** includes marked + items

Part-No.: 20017 201118

Service Kit includes marked * and + items

Part-No.: 20027 201118-FDA