

# PRODUCT – DATA SHEET

**Topic:** Airless Spray Gun  
**Product:** Kopperschmidt AKA 401  
 Part-No.: 15008 000011 / 15008 000012 / 15008 000013

KS-AKA 401\_PD\_E\_e

Stand: 05/2016

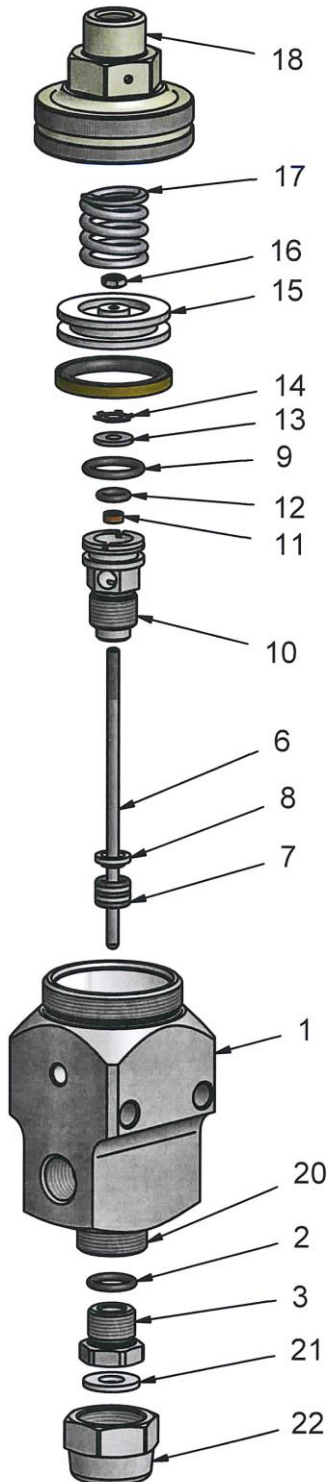
all rights reserved

**Quality Products**



by your famous brand

**K** SPRITZTECHNIK **T**  
**KOPPERSCHMID**



| Pos. | Amount | Description         | Part-No.     |
|------|--------|---------------------|--------------|
| 1    | 1      | gun body            | 15008 004002 |
| 2*   | 1      | o-ring              |              |
| 3+   | 1      | valve seat          |              |
| 6+   | 1      | valve needle        |              |
| 7*   | 3      | o-ring              |              |
| 8*   | 3      | seal                |              |
| 9*   | 1      | o-ring              |              |
| 10   | 1      | packing nut         | 15008 010001 |
| 11*  | 1      | sealing ring        |              |
| 12*  | 1      | o-ring              |              |
| 13   | 1      | washer              | 15001 013001 |
| 14*  | 1      | lock ring           |              |
| 15+  | 1      | disc piston assy    |              |
| 16   | 1      | hex nut             | 90711 703000 |
| 17   | 1      | spring 200 bar      | 99210 012025 |
| 17   | 1      | spring 400 bar      | 99210 012023 |
| 18   | 1      | cap                 | 15008 008001 |
| 20   | 1      | thread insert       | 15008 002001 |
| 21   | 1      | seal                | 15000 034001 |
| 22   | 1      | retaining ring      | 15000 033001 |
| 22   | 1      | retaining ring long | 15000 033002 |

## Available service kits for Airless Gun AKA 401:

The **Sealing Kit** includes marked \* items

**Part-No.: 20007 201118**

The **Service Kit wear parts** includes marked + items

**Part-No.: 20017 201118**

**Service Kit** includes marked \* and + items

**Part-No.: 20027 201118**